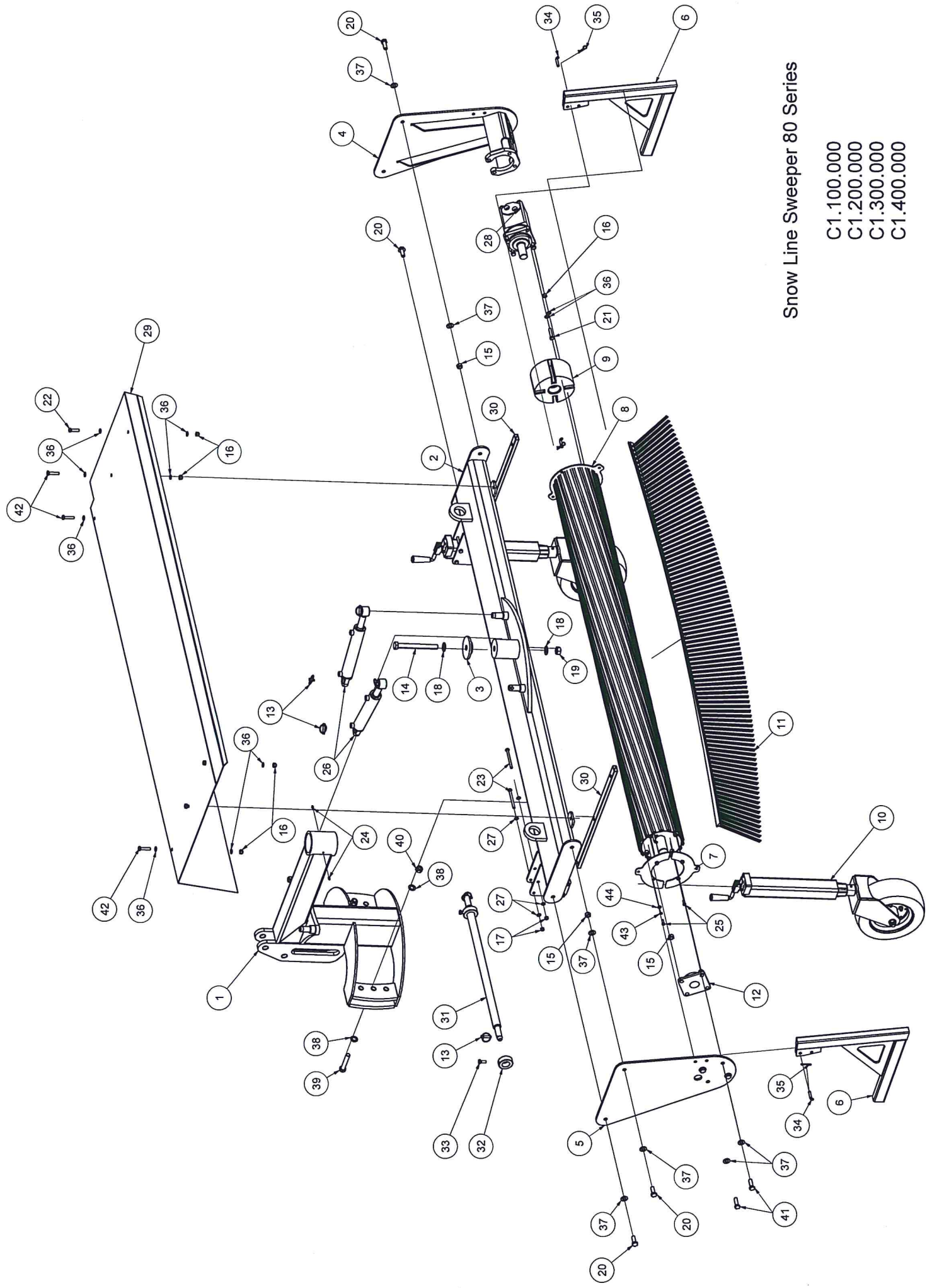


Snow Line Sweeper 80 Series

- C1.100.000
- C1.200.000
- C1.300.000
- C1.400.000

# Sweep80

Pos	Res.no.	Ramme	Frame	Rahmen	Note
1	C1100041	Tårn til Snowline Sweeper	Tower for Snowline Sweeper	Turm für Snowline Sweeper	
2	C1100040	Ramme for Snowline Sweeper 258	Frame for Snowline Sweeper 258	Rahmen für Snowline Sweeper 25	
2	C1200040	Ramme for Snowline Sweeper 288	Frame for Snowline Sweeper 288	Rahmen für Snowline Sweeper 28	
2	C1300040	Ramme for Snowline Sweeper 308	Frame for Snowline Sweeper 308	Rahmen für Snowline Sweeper 30	
2	C1400040	Ramme for Snowline Sweeper 358	Frame for Snowline Sweeper 358	Rahmen für Snowline Sweeper 35	
2	C1500040	Ramme for Snowline Sweeper 408	Frame for Snowline Sweeper 408	Rahmen für Snowline Sweeper 4	
3	C1100050	Svejst kapsle Snowline Sweep80	Welded Hub Cap Snowline Sweep8	Schweißen nabe kappe Snowline	
4	C1100160	Motor støtte, svejst Sweep 80	Motor Support Welded Sweep 80	Motor understøtten, Schweißen	From 24.01.13
4	C1100042	Motor støtte, svejst Sweep 80	Motor Support Welded Sweep 80	Motor understøtten, Schweißen	To 24.01.13
5	C1100104	Højre sideplade for Sweep 80	Right Sideplate for Sweep 80	Rechte Seitenplatte for Sweep	
6	C1100051	Ben Sweep 80	Leg Sweep 80	Bein Sweep 80	
7	C1100138	Halv måne	Half moon	Halbmond	
8	C1100052	Tromle for Snowline Sweeper 25	Drum for Snowline Sweeper 2580	Drum für Snowline Sweeper 2580	
8	C1200041	Tromle for Snowline Sweeper 28	Drum for Snowline Sweeper 2880	Drum für Snowline Sweeper 2880	
8	C1300041	Tromle for Snowline Sweeper 30	Drum for Snowline Sweeper 3080	Drum für Snowline Sweeper 3080	
8	C1400041	Tromle for Snowline Sweeper 35	Drum for Snowline Sweeper 3580	Drum für Snowline Sweeper 3580	
8	C1500041	Tromle for Snowline Sweeper 40	Drum for Snowline Sweeper 4080	Drum für Snowline Sweeper 4080	
9	C1100002	Gummi kobling Ø213	Rubber Coupling Ø213	Rubber Verbindung Ø213	
10	C1100001	Hjul ophæng, sweeper	Wheel Supports Sweeper	Steuer understøtten Sweeper	
11	27025012	Børste til Sweep 2580	Brush for Sweep 2580	Bürsten für Sweep 2580	
11	27025013	Børste til Sweep 2880	Brush for Sweep 2880	Bürsten für Sweep 2880	
11	27025014	Børste til Sweep 3080	Brush for Sweep 3080	Bürsten für Sweep 3080	
11	27025032	Børste til Sweep 3580	Brush for Sweep 3580	Bürsten für Sweep 3580	
11	27025033	Børste til Sweep 4080	Brush for Sweep 4080	Bürsten für Sweep 4080	
12	25020600	Flangeleje UCF 210-Ø50	Flanged bearing UCF 210-Ø50	Flanschenlager 210-Ø50	
13	23006006	Traktorsplit 9,5x35/45 FZB	Linch pin 9,5x35/45 FZB	Splint 9,5x35/45	
14	22224200	Stålbolt M24x200/8.8/HDG	Steel Bolt M24x200/8.8/HDG	Stahlbolzen M24x200 8.8 HDG	
15	22052007	Låsemøtrik M16 FZB	Lock nut M16 fzb	Gegenmutter M16	
16	22052005	Låsemøtrik M12 FZB	Lock nut M12 fzb	Gegenmutter M12	
17	22052004	Låsemøtrik M10 FZB	Lock nut M10 FZB	Gegenmutter M10	
18	22058045	Skiver M24 Hårdhed 140 HV FZB	Washer M24 Hardness 140 HV FZB	Scheibe M24 Härte 140 HV FZB	
19	22051001	Møtrik M24 8.8 FZB	Nut M24 8.8 FZB	Mutter M24 8.8 FZB	
20	22008705	Sætskrue M16x45 8.8 FZB	Set screw M16x45 fzb 8.8	Setzschraube M16x45	
21	22008510	Sætskrue M12x60 8.8 fzb	Set screw M12x60 8.8 FZB	Setzschraube M12x60	
22	22008507	Sætskrue M12x45 8.8 fzb	Set screw M12x45 fzb 8.8	Setzschraube M12x45	
23	22002242	Mask. bolt M10x120 8.8 fzb	Bolt M10x120 8.8 fzb	Bolzen M10x120	
25	22008205	Sætskrue M6x20 8.8 fzb	Set screw M6x20 8.8 fzb	Setzschraube M6x20	
27	21092410	Hydr. cyl. til Snowline lige 7	Hydraulic cylinder to snowline	Hydr. Zylinder für Snowline 70	
28	21070435	Oliemotor OMT 315 Ø40	Oil motor OMT 315 Ø40	Ölmotor OMT 315 Ø40	
29	C1100154	Beskyttelse skærm Sweep 2580	Protective Shield Sweep 2580	Schutz Schirm Sweep 2580	
29	C1200104	Beskyttelse skærm Sweep 2880	Protective Shield Sweep 2880	Schutz Schirm Sweep 2880	
29	C1300104	Beskyttelse skærm Sweep 3080	Protective Shield Sweep 3080	Schutz Schirm Sweep 3080	
29	C1400104	Beskyttelse skærm Sweep 3580	Protective Shield Sweep 3580	Schutz Schirm Sweep 3580	
29	C1500104	Beskyttelse skærm Sweep 4080	Protective Shield Sweep 4080	Schutz Schirm Sweep 4080	
30	C1100144	Rektangulær profile for Sweep	Rectangular profile for Sweep	Rechteckige profil für Sweep 8	
31	N4000101	Bæreaksel kat.2 (Ø28mm)	Bearing axle cat.2 (Ø28)	Tragachse Kat. 2 (Ø28)	
32	N4000100	Låsering for 40 mm aksel	Locking ring for Ø40 shaft	Sicheringsring für Ø40 Welle	
33	22077463	Rustfri sætskrue M12x30	Stainless setscrew M12x30	Rostfrei Setzschrauben M12x30	

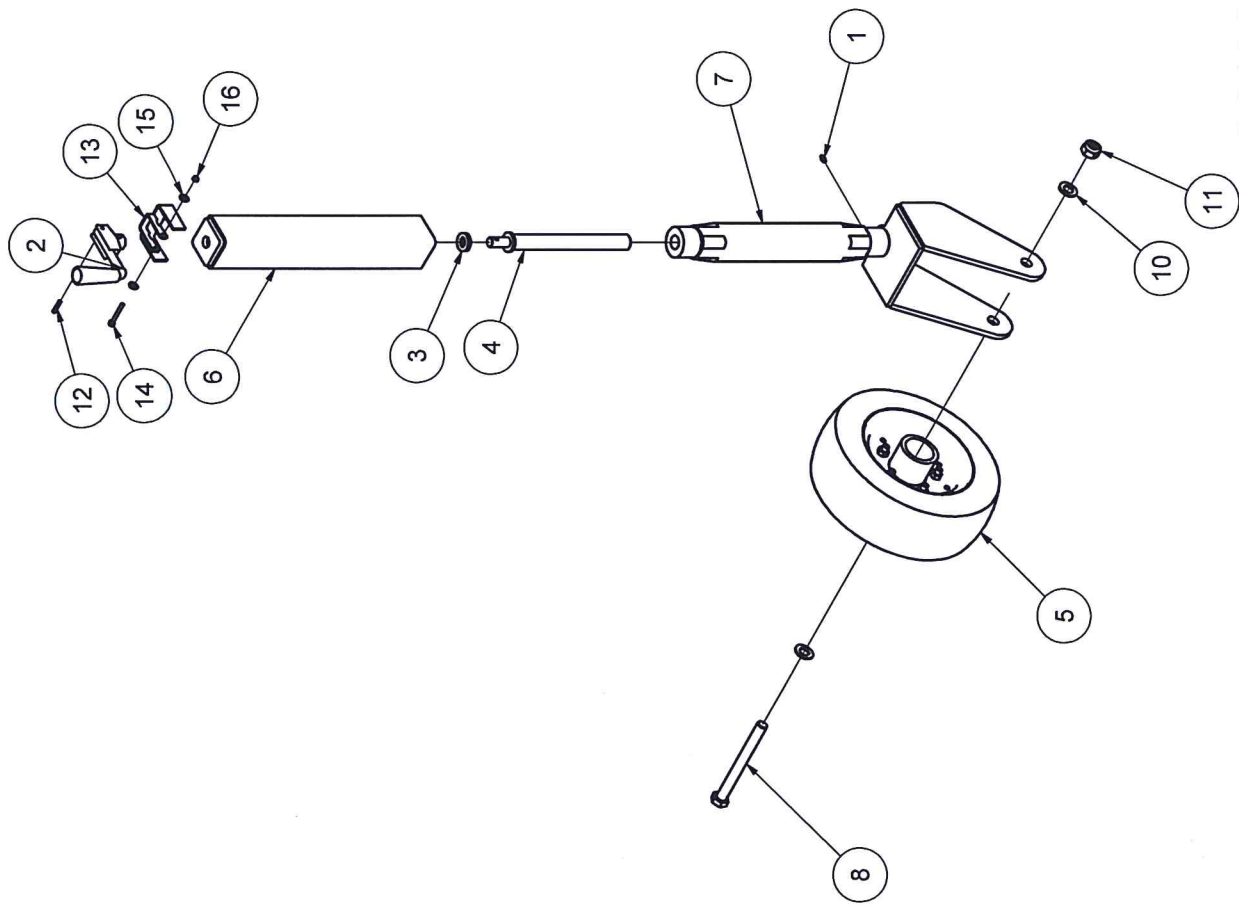


Snow Line Sweeper 80 Series

- C1.100.000
- C1.200.000
- C1.300.000
- C1.400.000

# Sweep80

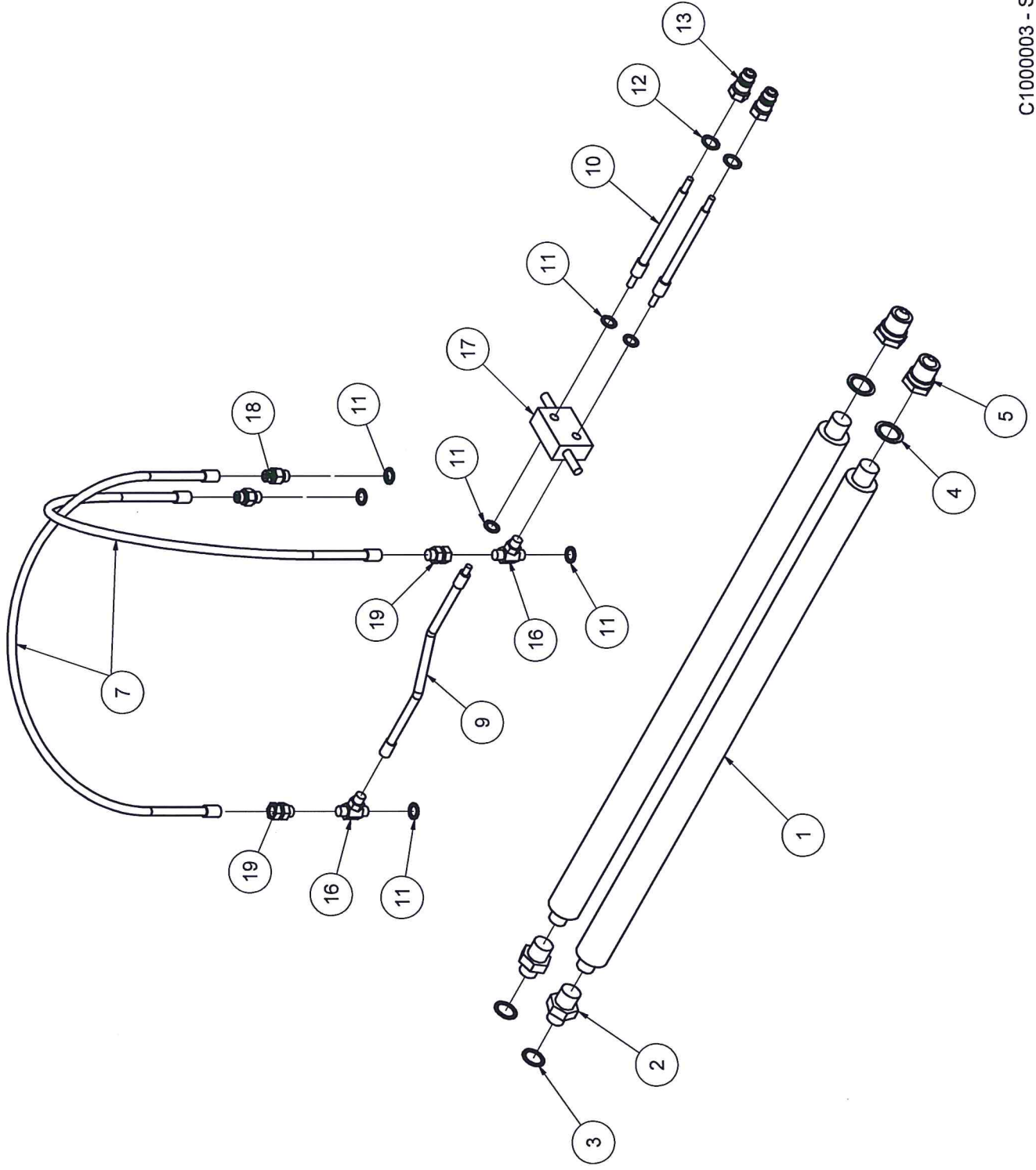
		Ramme	Frame	Rahmen	
Pos	Res.no.				Note
34	S4705020	Nagle for støtteben	Spike f. strut leg	Nagel f. Stützenbein	
35	23006021	Hårnålesplit Ø3 type B DIN1102	Split pin ø3 type B DIN11024	Splinte ø3	
36	22058610	Skive M12 ø23/ø13x2,5 FZB	Washer M12 fzb Ø23XØ13X2,5 FZB	Scheibe M12	
37	22058701	Sværskive 5/8" FZB 35/17,5x3	Washer 5/8" FZB 35/17,5x3	Scheibe 5/8"	
38	22058802	Facetskive M20 37X21X3 FZV	Facet washer M20 Ø37XØ21X3 FZV	Facettenscheibe M20 Ø37XØ21X3	
39	22008912	Sætskrue M20x115 8.8 FZB	Set Screw M20x115 8.8 FZB	Satzschraube M20x115 8.8 FZB	
40	22052009	Låsemøtrik M20 FZB	Lock nut M20 fzb	Gegenmutter M20	
41	22008706	Sætskrue M16x50 8.8 FZB	Set screw M16x50 fzb 8.8	Satzschraube M16x50	
42	22008509	Sætskrue M12x55 8.8 fzb	Set screw M12x55 8.8 fzb	Satzschraube M12x55 8.8 fzb	
43	22056200	Centerfjederskive M8 fzb	Spring washer M8 fzb	Federscheibe M8	



C1100001 - Wheel Supports Sweeper

# Sweep80

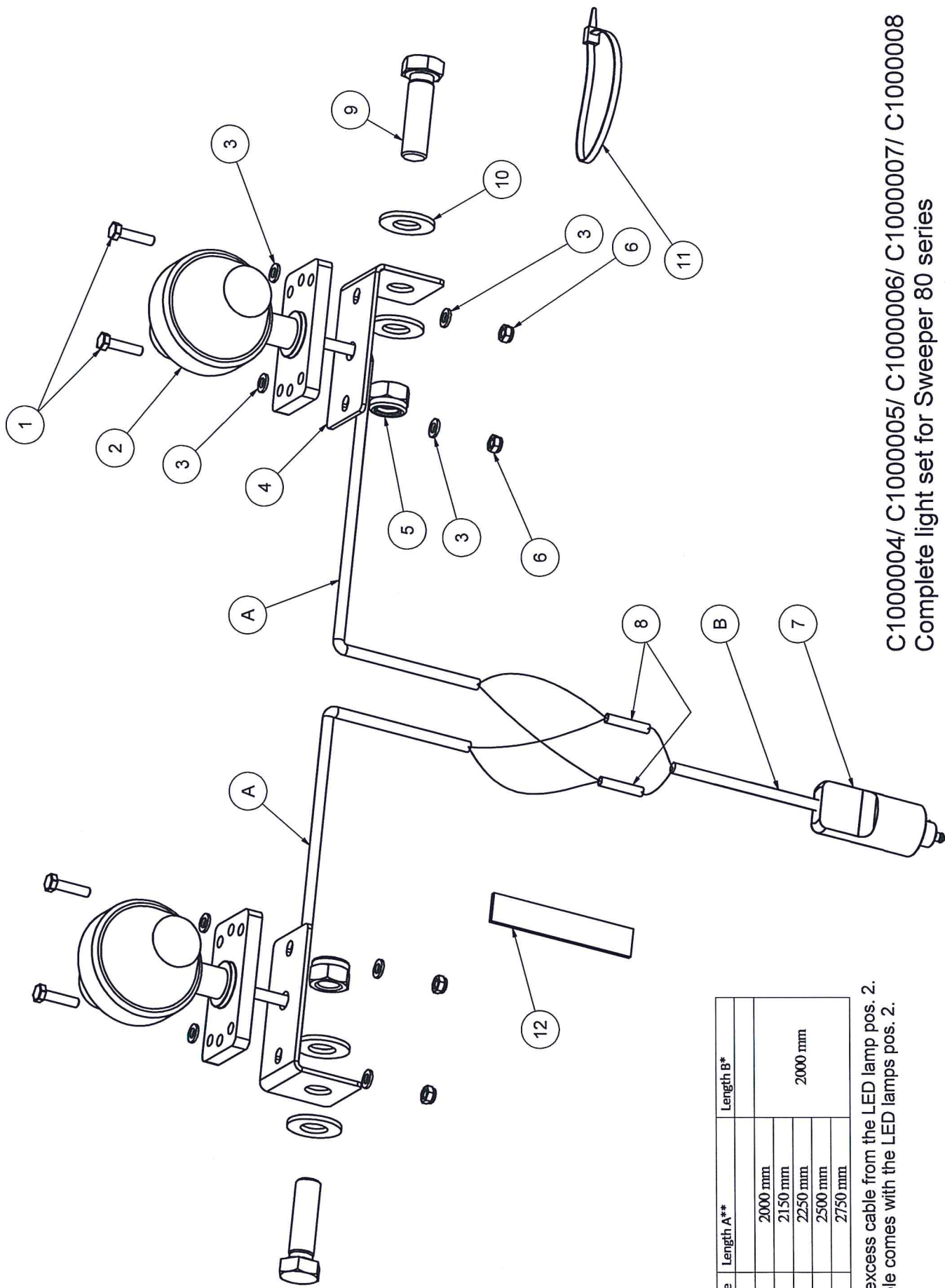
Pos	Res.no.	Støtte hjul	Support	Steuer unterstützen	Note
1	21060000	Smørenippel M6 lige	Grease nipple M6X1 straight	Schmiernippel M6x1	
2	29001530	Samlet håndtag for støtteben t	Complete handle for support le	Komplett Griff für unterstütze	
3	29001532	Leje for spindel til snowline	Bearing for spindle to snowli	Lager für spindel für snowline	
4	29001533	Spindle for supportleg to snow	Spindle for supportleg f. snow	Spindel für unterstützen bein	
5	C1100010	Wheel for Snowline Sweeper	Wheel for Snowline Sweeper	Steuer für Snowline Sweeper	
6	C1100045	Hjul ophæng ydre rør for Sswee	Wheel Frame Outer Tube for Swe	Steuer rahmen äußere Rohr für	
7	C1100049	Wheel foot for Snowline Sweep	Wheel foot for Snowline Sweep	Steuer Fuß für Snowline Sweep	
8	22002718	Mask. bolt M20x200 8.8 fzb	Bolt M20x200 8.8 fzb	Bolzen M20x200	
10	22058043	Skiver M20 Hårdhed 140 HV	Washer M20 hardness of 140HV	Scheibe M20 140HV	
11	22052009	Låsemøtrik M20 FZB	Lock nut M20 fzb	Gegenmutter M20	
12	23004400	Rørstift Ø6x30 sort	Pin Ø6x30	Rohrspannstift Ø6x30	
13	C1100055	Supportleg sweep80 locking dev	Supportleg sweep80 locking dev	Unterstützen sweep80 verriegel	
14	22008211	Sætskrue M6x50 8.8 fzb	Bolt M6x50 8.8 fzb DIN933	Bolzen M6x50 8.8 fzb DIN933	
15	22058401	Skive M6 FZB 18/6,4x1,6	Washer M6 FZB 18/6,4x1,6	Scheibe M6	
16	22052002	Låsemøtrik M6 FZB	Lock nut M6 FZB	Gegenmutter M6	



# Sweep80

Pos	Res.no.	Chock ventil	Chock valve	Shock ventil	Note
1	21039951	Hydr slange 1" x 4000	Hydraulic hose 1 "x 4000	Hydr. Schlauch 1"x 4000	
2	21000840	Brystnippel 3/4"x1" 02BP1612	Hexagon nippel 3/4"x1	Brustnippel 3/4"x1	
3	21062103	Pakring 3/4"	Seal ring 3/4"	Dichtring 3/4"	
4	21062105	Pakring 1"	Seal ring 1"	Dichtring 1"	
5	21000412	Hankobling 1"	Male coupling 1"	Hydr. Anschluss Aus.g. 1"	
8	21039946	Hydr slange 3/8 x 1250	Hydr. hose 3/8x1250	Hydr. Schlauch 3/8x1250	
9	21039949	Hydr slange 3/8 x 290	Hydr. hose 3/8x290	Hydr. Schlauch 3/8x290	
10	21039950	Hydr slange 3/8 x 1500	Hydraulic hose 3/8 x 1500	Hydr. Schlauch 3/8 x 1500	
11	21062101	Pakning 3/8"	Seal Ring 3/8"	Dichtring 3/8"	
12	21062102	Pakring 1/2"	Seal Ring 1/2"	Dichtring 1/2"	
13	21000402	Hankobling 1/2" sterling	Male hydraulic snap coupling 1	Hydr. Anschluss 1/2"	
16	21000623	Hydr. T 3/8 BSP Smedet udførel	Hydr. T 3/8'' BSP	Hydr. T 3/8'' BSP	
17	21075161	Dobb. chokventil 3/8" BSP	Double shock valve 3/8'' BSP	Doppelt Schockventil 3/8''	
18	21000804	Hydr. brystnippel 3/8"x3/8"	Hydr. hexagon nipple 3/8"x3/8"	Hydr. Reduziernippel 3/8"x3/8"	
19	21000847	Hydr. brystnippel 3/8"udv.x3/8	Hydr. hexagon nipple 3/8"udv.x	Hydr. Reduziernippel 3/8" auss	





C1000004/ C1000005/ C1000006/ C1000007/ C1000008  
 Complete light set for Sweeper 80 series

Machine type	Length A**	Length B*
Sweeper		
2580	2000 mm	
2880	2150 mm	
3080	2250 mm	2000 mm
3580	2500 mm	
4080	2750 mm	

\*Use the excess cable from the LED lamp pos. 2.

\*\*The cable comes with the LED lamps pos. 2.

# Sweep80

	Lys	Light	Licht	
Pos	Res.no.			Note
1	N0000173	Lygtebeslag NGS 70 serie	Light fitting NGS 70 serie	Licht Konsolle NGS 70
2	20010914	Sæt, Tail/position led lamp	Set, Tail/position led light	Setzen, Hinter/Positions led L
3	22077002	Rustfri sætskrue M6x25 DIN 933	Stainless setscrew M6x25	Rostfrei Satzschraube M6x25
4	22077555	Rustfri skive M6 A4	Stainless washer M6 A4	Rostfrei Scheibe M6 A4
5	22077102	Rustfri låsemøtrik M6	Stainless locking nut M6	Rostfrei Gegenmutter M6
6	22077049	Rustfri brædebolt M10x40	Rustproof carriage bolt M10x40	Rostfrei Schwellenschraube M10
7	22077558	Rustfri skive M10	Stainless washer M10	Rostfrei Scheibe M10
8	22077104	Rustfri låsemøtrik M10	Stainless lock nut M10 A4 DIN	Rostfrei Gegenmutter M10