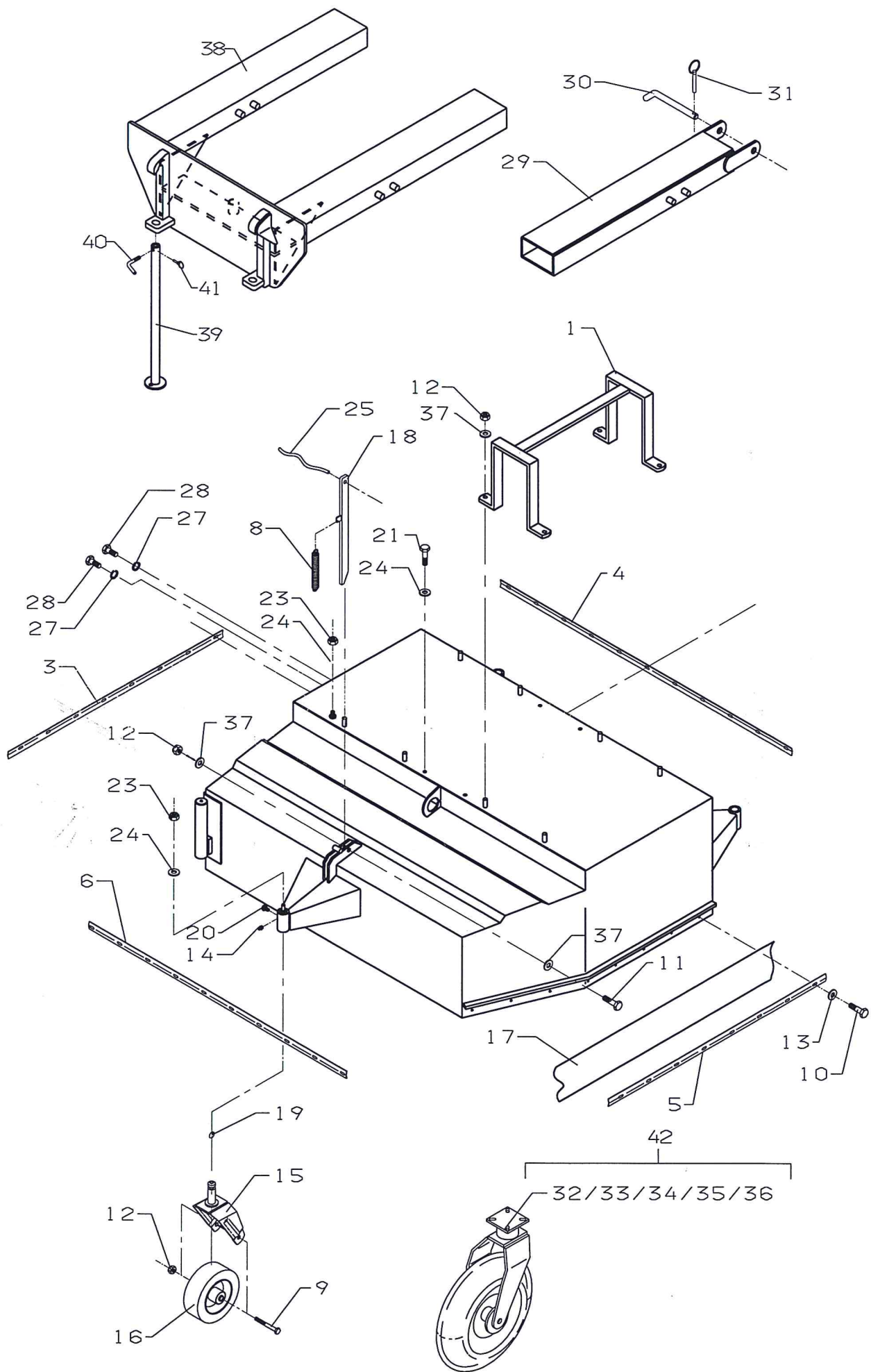


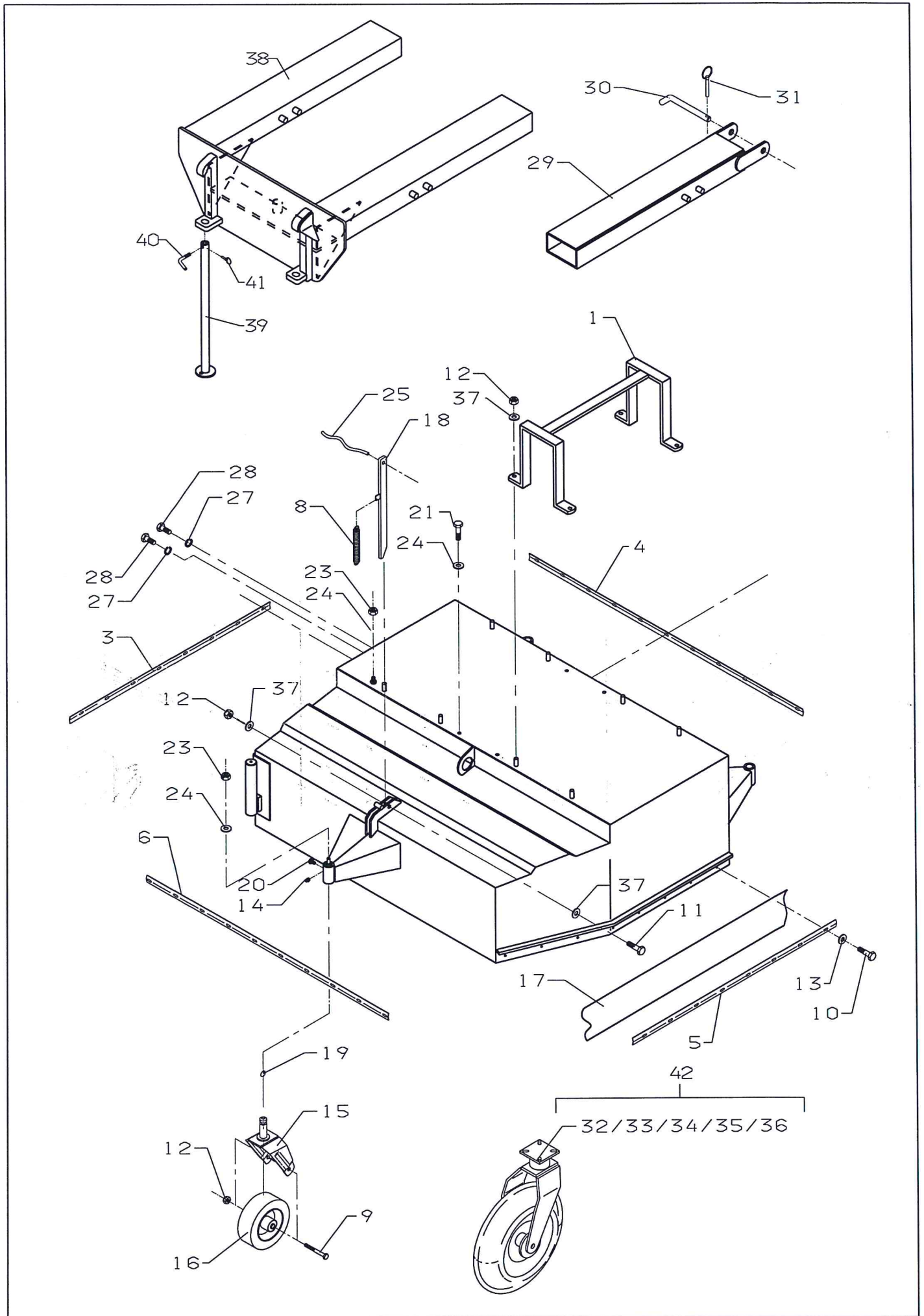
Spare parts list

| | |
|---|--|
| Typenr.: Type no.: Ballart nr.: _____ | Fabrikationsnr.: Prod. no.: Prod. nr.: _____ |
| Årgang: Year: Jahr: : _____ | Max. arb. tryk: Max. pressure: Max. druck: _____ |
| Egenvægt: Net weight: Eigengewicht: _____ | Spænding: Voltage: Spannung: _____ |
| Max. last: Max. load: Max. ladung: _____ | |



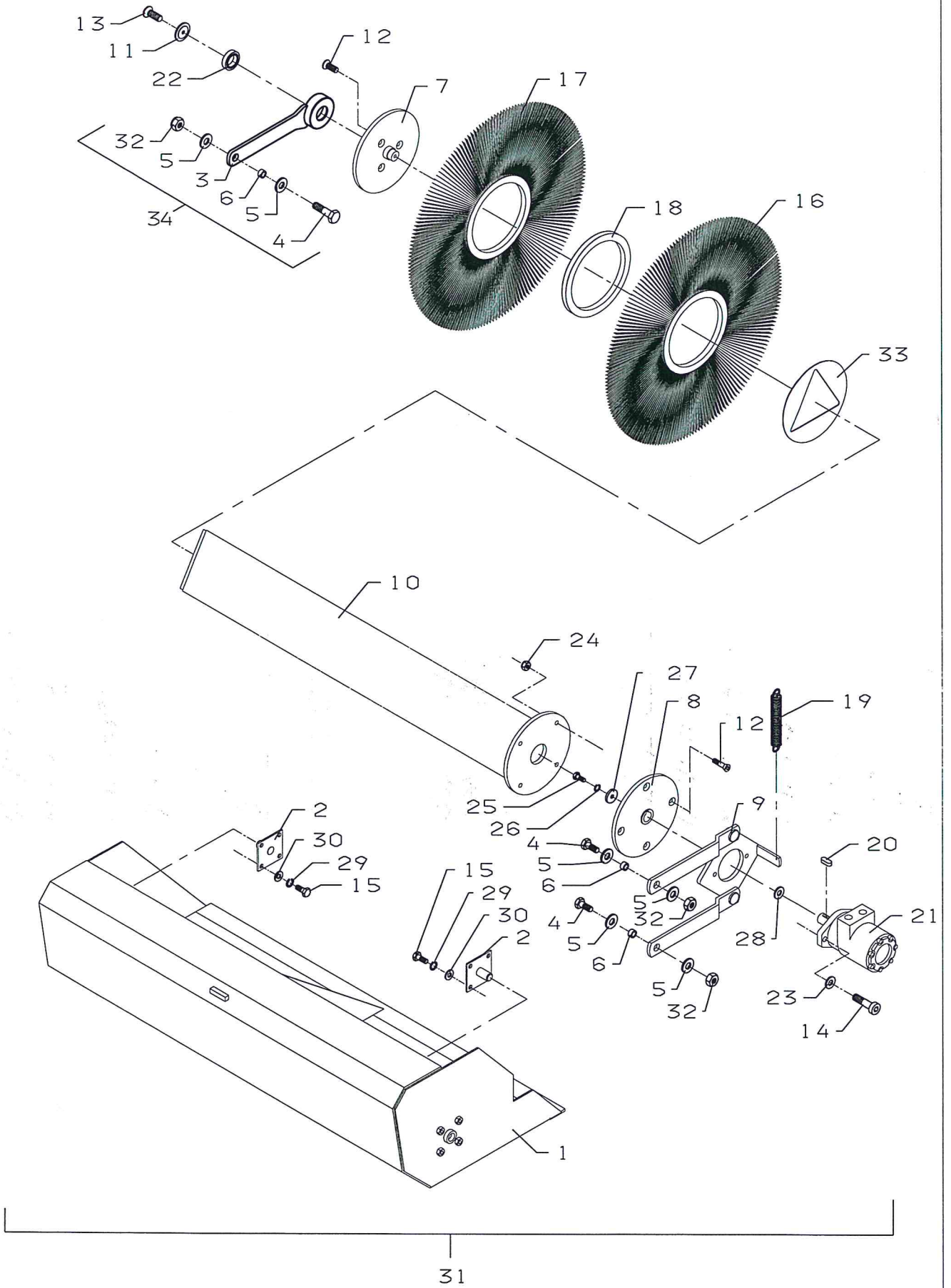
1200-1600-2000-2000S-2000SSH

| Pos | Res.no. | Kasse | Connection | Behälter | Note |
|-----|----------|--------------------------------|--------------------------------|--------------------------------|---------------|
| | Å2000000 | Hydro-Sweeper 1200 m. opsamle | Hydro-Sweeper 1200 w/dust box, | Hydro-Sweeper 1200 m/Schmutzb | |
| | Å2000001 | Hydro-Sweeper 1600 m. opsamle | Hydro-Sweeper 1600 w/dust box, | Hydro-Sweeper 1600 m/Schmutzb | |
| | Å2100000 | Hydro-Sweeper 2000 m. opsamle | Hydro-Sweeper 2000 w/dust box, | Hydro-Sweeper 2000 m/Schmutzb | |
| | Å2100001 | Hydro-Sweeper 2000S m. opsamle | Hydro-Sweeper 2000S w/dust box | Hydro-Sweeper 2000S m/Schmutzb | |
| | Å2100002 | Hydro-Sweeper 2000SSH m. store | Hydro-Sweeper 2000SSH w.big wh | Hydro-Sweeper 2000SSH m/g.Rad- | |
| 1 | Å2106000 | Bøjler f/truck-kasse | Bow for box | Bügel für Box | |
| 1 | Å2106001 | Bøjle for truckkasse svejst 12 | Bow for box for 1200 | Bügel für Box für 1200 | |
| 3 | Å2114000 | SKINNE STOV DUG 1000 MM | Rail 1200-1600-2000 | Schiene 1200-1600-2000 | |
| 3 | Å2133000 | Skinne støvdug 2000 S | Rail 2000 S | Schiene 2000 S | |
| 4 | Å2115000 | Skinne for støvdug | Rail 2000-2000 S | Schiene 2000-2000 S | |
| 4 | Å2122001 | Skinne støvdug 1600 | Rail 1600 | Schiene 1600 | |
| 4 | Å2122002 | Skinne støvdug 1200 | Rail 1200 | Schiene 1200 | |
| 5 | Å2116000 | Skinne støvdug 2*30*1020 | Rail 1200-1600-2000. | Schiene 1200-1600-2000 | |
| 5 | Å2134000 | Skinne støvdug, venstre | Rail 2000 S | Schiene 2000 S | |
| 6 | Å2117000 | Skinne støvdug 2000-2000 S | Rail 2000-2000 S | Schiene 2000-2000 S | |
| 6 | Å2117001 | Støvdugsskinne 1600 2*30*1600 | Rail 1600 | Schiene 1600 | |
| 6 | Å2117002 | Skinne støvdug 1200 | Rail 1200 | Schiene 1200 | |
| 8 | 23006311 | Trækfjeder 2x15x170 Indv.I | Tension spring 2x15x170 | Ziehfeder 2x15x170 | |
| 9 | 22002312 | Mask. bolt M12x120 8.8 fzb | Bolt M12x120 | Bolzen M12x120 | |
| 10 | 22008203 | Satskrue M6x12 8.8 fzb BN56 | Set screw M6x12 fzb BN56 | Setzschraube M6x12 | |
| 11 | 22008507 | Satskrue M12x45 8.8 fzb | Set screw M12x45 fzb 8.8 | Satzschraube M12x45 | |
| 12 | 22052005 | Låsemøtrik M12 FZB | Lock nut M12 fzb | Gegenmutter M12 | |
| 13 | 22058401 | Skive M6 FZB 18/6,4x1,6 | Washer M6 FZB 18/6,4x1,6 | Scheibe M6 | |
| 14 | 21060000 | Smørenippel M6 lige | Grease nipple M6x1 straight | Schmiernippel M6x1 | |
| 15 | 24050101 | Gaffel for styrehjul DGT 10"el | Fork | Gabel | |
| 16 | 24050102 | Hjul 3.00-4 rund/rille | Wheel | Rad | 1200 - 2000 |
| 16 | 24050104 | Hjul 3.00-4 GOMASOL | Wheel | Rad | 2000 S |
| 17 | 29003002 | Støvbånd til Hydro-sweeper | Dustlist | Staubleiste | |
| 18 | Å2121000 | Udløser-pal svejst | Release fork | Sperrklinke | |
| 19 | 24050106 | Kugle f. styrehjul DGT 10"elg. | Ball for wheel | Kugel für Rad | |
| 20 | 22008202 | Satskrue M6x10 8.8 fzb | Set screw M6x10 8.8 FZB | Setzschraube M6x10 | |
| 21 | 22008402 | Satskrue M10x20 8.8 fzb | Set screw M10x20 fzb 8.8 | Satzschraube M10x20 | |
| 22 | 22056300 | Centerfjederskive M10 FZB | Spring washer M10 fzb | Federscheibe M10 | |
| 23 | 22052004 | Låsemøtrik M10 FZB | Lock nut M10 FZB | Gegenmutter M10 | |
| 24 | 22058410 | Facetskive M10 FZB 20/10.5X2 | Facet washer M10 fzb Ø20XØ10,5 | Facettenscheibe M10 | |
| 25 | Å2138000 | Snor f. udløserpal L=4,5m | Line for release fork | Schnur für Sperrklinke | |
| 26 | Å2105000 | Speciel bolt M16x40 | Bolt M16x40 | Bolz M16x40 | |
| 27 | 22056500 | Centerfjederskive M16 FZB | Spring washer M16 fzb | Federscheibe M16 | |
| 28 | 22008701 | Satskrue M16x20 8.8 FZB | Set screw M16x20 | Setzschraube M16x20 | |
| 29 | Å2107003 | Truck-kasse svejst 1200 | Fork lift connection 1200 | Gabelstapler behälter 1200 | 112.180.001 - |
| 29 | Å2107004 | Truck-kasse svejst 1600-2000 S | Fork lift connection 1600-2000 | Gabelstapler behälter 1600-200 | 116.180.001 - |
| 29 | Å2107004 | Truck-kasse svejst 1600-2000 S | Fork lift connection 1600-2000 | Gabelstapler behälter 1600-200 | 120.180.001 - |
| 29 | Å2107005 | Truck-kasse svejst 2000 | Fork lift connection 2000 | Gabelstapler behälter 2000 | 121.180.001 - |
| 29 | Å2107007 | Truck-kasse spec. 2000 SSH | Fork lift connection 2000 SSH | Gabelstapler behälter 2000 SSH | |
| 30 | Å2139000 | Nagle for truck-kasse 1200 | Pin, 1200 | Nagel, 1200 | |
| 30 | Å2139001 | Nagle for truck-kasse | Pin | Nagel | |
| 31 | 23006002 | Traktorsplit Ø8X40 FZB | Split Pin Ø8x40 FZB | Splint Ø8x40 | |
| 32 | 24000009 | Hjul komp. 5.00x8/4 glat bane | Wheel comp. 500x8/4 | Rad komp. 500x8/4 | 2000 SSH |



1200-1600-2000-2000S-2000SSH

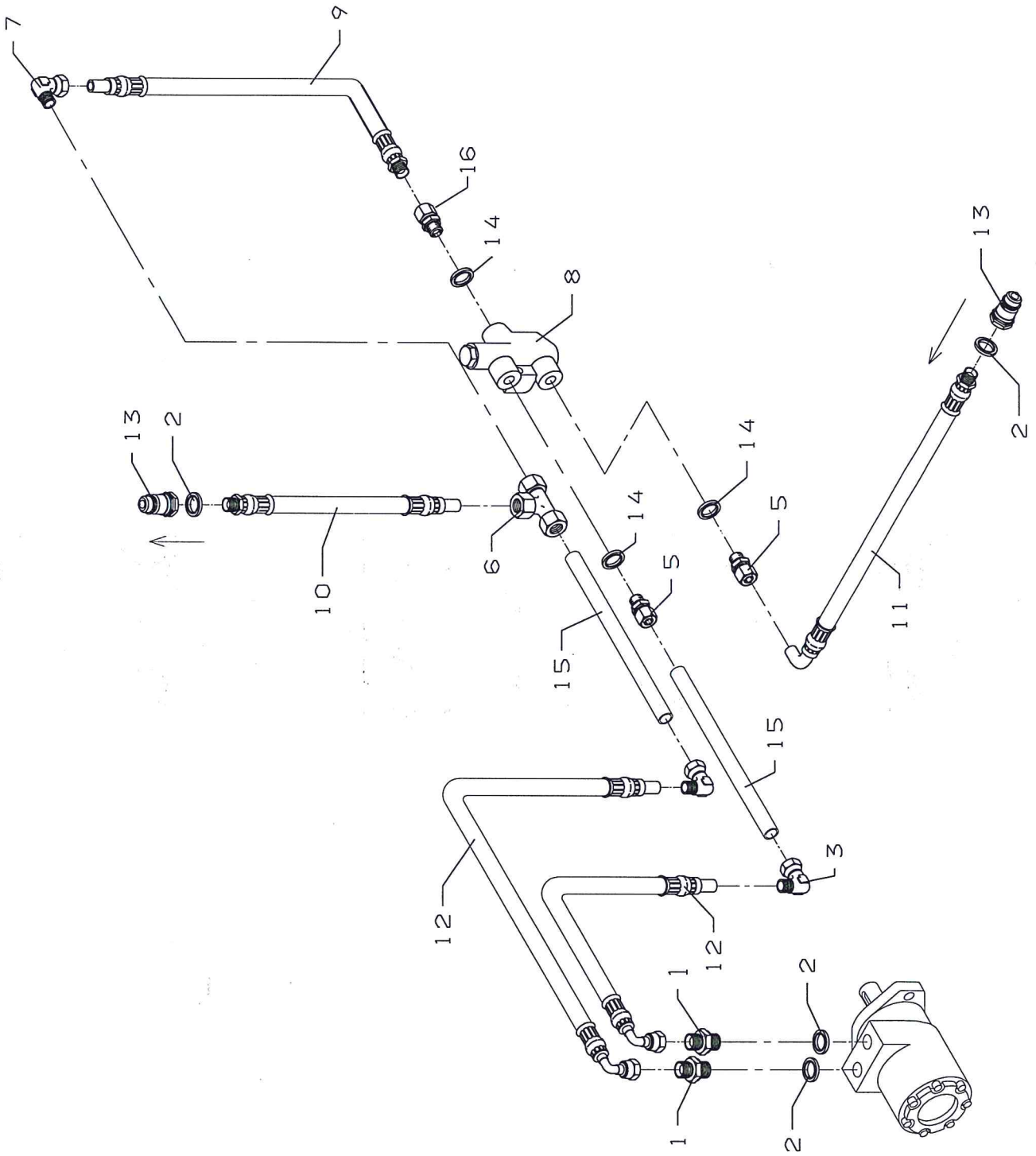
| Pos | Res.no. | Kasse | Connection | Behälter | Note |
|-----|----------|--------------------------------|--------------------------------|-----------------------------|----------|
| 33 | 24050210 | 20" Drejekonsol f. 500x8/4 sty | 20" rotatable consol for wheel | 20" Drehbar Konsoll für Rad | 2000 SSH |
| 34 | 22052007 | Låsemøtrik M16 FZB | Lock nut M16 fzb | Gegenmutter M16 | |
| 35 | 22002518 | Mask. bolt M16x200 8.8 fzb | Bolt M16x200 | Bolzen M16x200 | |
| 36 | 22008401 | Sætskrue M10x16 8.8 fzb | Set screw M10x16 8,8 FZB | Satzschraube M10x16 | |
| 37 | 22058610 | Skive M12 ø23/ø13x2,5 FZB | Washer M12 fzb Ø23XØ13X2,5 FZB | Scheibe M12 | |
| 38 | Å2927040 | Ophæng for AVANT/1200 Hydroswe | Suspension for Avant | Aufhängung für Avant | |
| 39 | Å2926043 | Støtteben svejst for ophæng | Supportleg | Stützbeine | |
| 40 | V4002125 | Bolt f. støtteben | Bolt f. support leg | Bolzen f. Stützbeine | |
| 41 | 23006002 | Traktorsplit Ø8X40 FZB | Split Pin ø8x40 FZB | Splint ø8x40 | |
| 42 | Å2210000 | Hjul til 2000 SSH komplet | Wheel for 2000 SSH compl. | Rad für 2000 SSH kompl. | |



1200-1600-2000-2000S-2000SSH

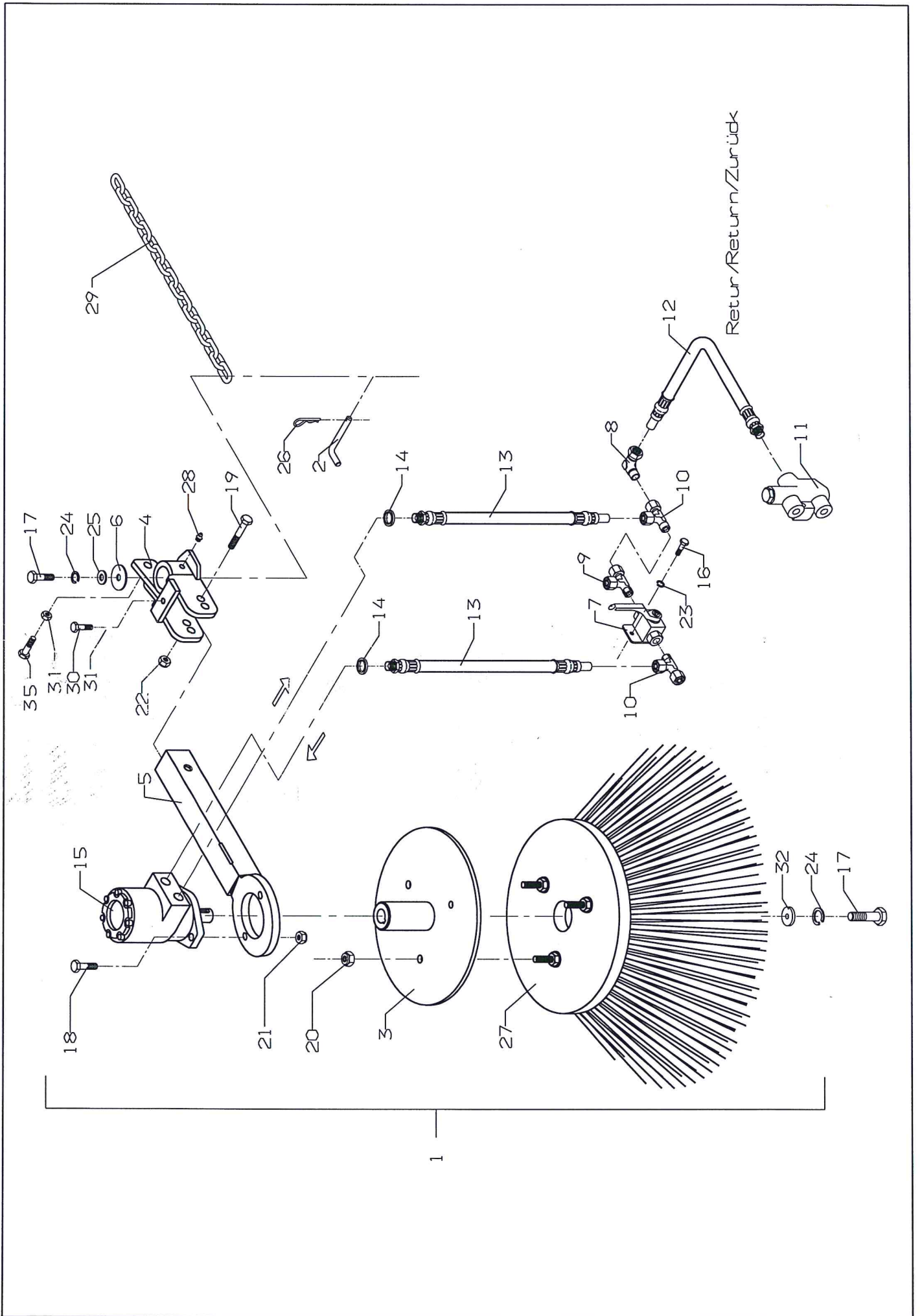
| Pos | Res.no. | skidtkasse | Dustbox | Schmutzbehälter | Note |
|-----|----------|---------------------------------|----------------------------|---------------------------|-----------------------|
| 1 | Å2113000 | Skidtkasse for 2000, svejst | Dust box 2000 | Schmutzbehälter 2000 | |
| 1 | Å2113001 | Skidtkasse svejst 1600 | Dust box 1600 | Schmutzbehälter 1600 | |
| 1 | Å2113002 | Skidtkasse svejst 1200 | Dust box 1200 | Schmutzbehälter 1200 | |
| 1 | Å2113003 | Skidtkasse svejst 2000 S | Dust box 2000S | Schmutzbehälter 2000S | |
| 2 | Å2112000 | Ophængsplade svejst | Suspensionssheet | Aufhængungsplatte | |
| 3 | Å2108000 | Leje arm svejst | Bearingsarm | Lagehebel | |
| 3 | Å2108001 | Lejearm, svejst | Bearingsarm | Lagehebel | Prod. 2003- |
| 4 | 22008505 | Sætskrue M12x35 8.8 fzb | Set screw M12x35 | Satzschraube M12x35 | |
| 5 | 22058610 | Skive M12 ø23/ø13x2,5 FZB | Disc M12 | Scheibe M12 | |
| 6 | Å2119001 | Rør for lejearm | Pipe | Rohr | |
| 7 | Å2111042 | Flange f/valse | Flange for roller | Flansch für Walze | |
| 7 | Å2111045 | Flange for valse, svejst | Flange for Roller | Flansch für Walze | Prod. 2003- |
| 8 | Å2111041 | Flange for oliemotor | Flange for oil engine | Flansch für Ölmotor | |
| 9 | Å2104000 | Plade f/olliemotor svejst | Plate for oil engine | Platte für Ölmotor | |
| 10 | Å2111040 | Valse for model 2000-2000 S | Roller for 2000-2000 S | Walze für 2000-2000 S | |
| 10 | Å2111043 | Valse for model 1600 | Roller for 1600 | Walze für 1600 | |
| 10 | Å2111044 | Valse for Hydro-Sweeper 1200 | Roller for 1200 | Walze für 1200 | |
| 11 | Å2110000 | Spændeskive v/leje | Tightning disc | Spannscheibe | |
| 11 | Å2110001 | Ø61 spændeskive ved leje | Tightning disc. | Spannscheibe | Prod. 2003- |
| 12 | 22014501 | Skrue M10x30 8.3UH FZB indiv. 6 | Screw M10x30 8.8 | Schraube M10x30 8.8 | |
| 13 | 22014401 | Skrue M8x20 10.9UH indiv. 6 kan | Screw M8x20 10.9 | Schraube M8x20 10.9 | |
| 14 | 22012609 | Skrue M12x30 CH 12.9 indiv. 6- | Set screw M12x30 CH | Setzschraube M12x30 CH | |
| 15 | 22008403 | Sætskrue M10x25 8.8 fzb | Set screw M10x25 | Satzschraube M10x25 | |
| 16 | 27025000 | Fejering ø570x7"-polypropylen | Sweeping ø570x7" | Besenring ø570x7" | |
| 17 | 27025010 | Fejering ø570x7"-stål | Sweeping ø570x7" steel | Besenring ø570x7" Stahl | |
| 18 | Å2132000 | Mellemring f. Hydro-Sweeper | Bafflering | Zwischenlagring | |
| 19 | 23006311 | Trækfjeder 2x15x170 Indv.I | Tension spring 2x15x170 | Ziehfeder 2x15x170 | |
| 20 | 23000506 | Feder 8x7x30 form A | Key 8x7x30 form A | Feder 8x7x30 form A | |
| 21 | 21072008 | Oliemotor OMP 200 HPS C25 | Oilengine OMP 200 HPS C25 | Ölmotor OMP 200 HPS C25 | |
| 21 | 21072009 | Oliemotor OMP 250 HPS C25 | Oilengine | Ölmotor | -2000 (2000S-2000SSH) |
| 21 | 21070308 | Pakningssæt DANFOSS OMP/OMR HP | Gasket set OMP/OMR HPS | Dichtungssatz OMP/OMR HPS | |
| 22 | 25000112 | Sporkugleleje 6005-2RS | Step ball bearing 6005-2RS | Spurkugellager 6005-2RS | |
| 22 | 25000707 | Sporkugleleje 6305-2RS | Step ball bearing | Spurkugellager | Prod. 2003 |
| 23 | 22056400 | Centerfjederskive M12 FZB | Spring washer M12 | Federscheibe M12 | |
| 24 | 22052004 | Låsemøtrik M10 FZB | Lock nut M10 | Gegenmutter M10 | |
| 25 | 22008304 | Sætskrue M8x25 8.8 fzb | Set screw M8x25 | Satzschraube M8x25 | |
| 26 | 22056200 | Centerfjederskive M8 fzb | Spring washer M8 | Federscheibe M8 | |
| 27 | Å2131000 | Spec. spændeskive | Tightning disc | Spannscheibe | |
| 28 | 22058001 | Passkive ø25/ø35x1.0 | Pas washer ø25/ø35x1 | Pas-scheibe ø25/ø35x1 | |
| 29 | 22056300 | Centerfjederskive M10 FZB | Spring washer M10 | Federscheibe M10 | |
| 30 | 22058410 | Facetskive M10 FZB 20/10.5X2 | Facet disc M10 | Facettenscheibe M10 | |
| 31 | Å2111000 | Kost monteret 2000/2000S | Brush mountet 2000/2000S | Besen Montiert 2000/2000S | |
| 31 | Å2111001 | Kost monteret 1600 | Brush mountet 1600 | Besen Montiert 1600 | |
| 31 | Å2111002 | Kost monteret 1200 | Brush mountet 1200 | Besen Montiert 1200 | |
| 32 | 22052005 | Låsemøtrik M12 FZB | Lock nut M12 | Gegenmutter M12 | |
| 33 | Å2123000 | Flange for kost | Flange for brush | Flansch für walze | |
| 34 | Å2119000 | Speciel bolt Ø18xM12 | Bolt ø18xM12 | Bolz ø18xM12 | |

| | Best. Nr.: | 1200 | 1600 | 2000 | 2000S | 2000SSH |
|----------------------|------------|---------|---------|---------|---------|---------|
| Fejeringpolypropylen | 27025000 | 21 Stk. | 28 Stk. | 37 Stk. | 37 Stk. | 37 Stk. |
| Fejeringstål | 27025010 | 22 Stk. | 27 Stk. | 36 Stk. | 36 Stk. | 36 Stk. |
| I alt | | 43 Stk. | 55 Stk. | 73 Stk. | 73 Stk. | 73 Stk. |
| Mellemring | Å2.132.000 | 44 Stk. | 55 Stk. | 73 Stk. | 73 Stk. | 73 Stk. |



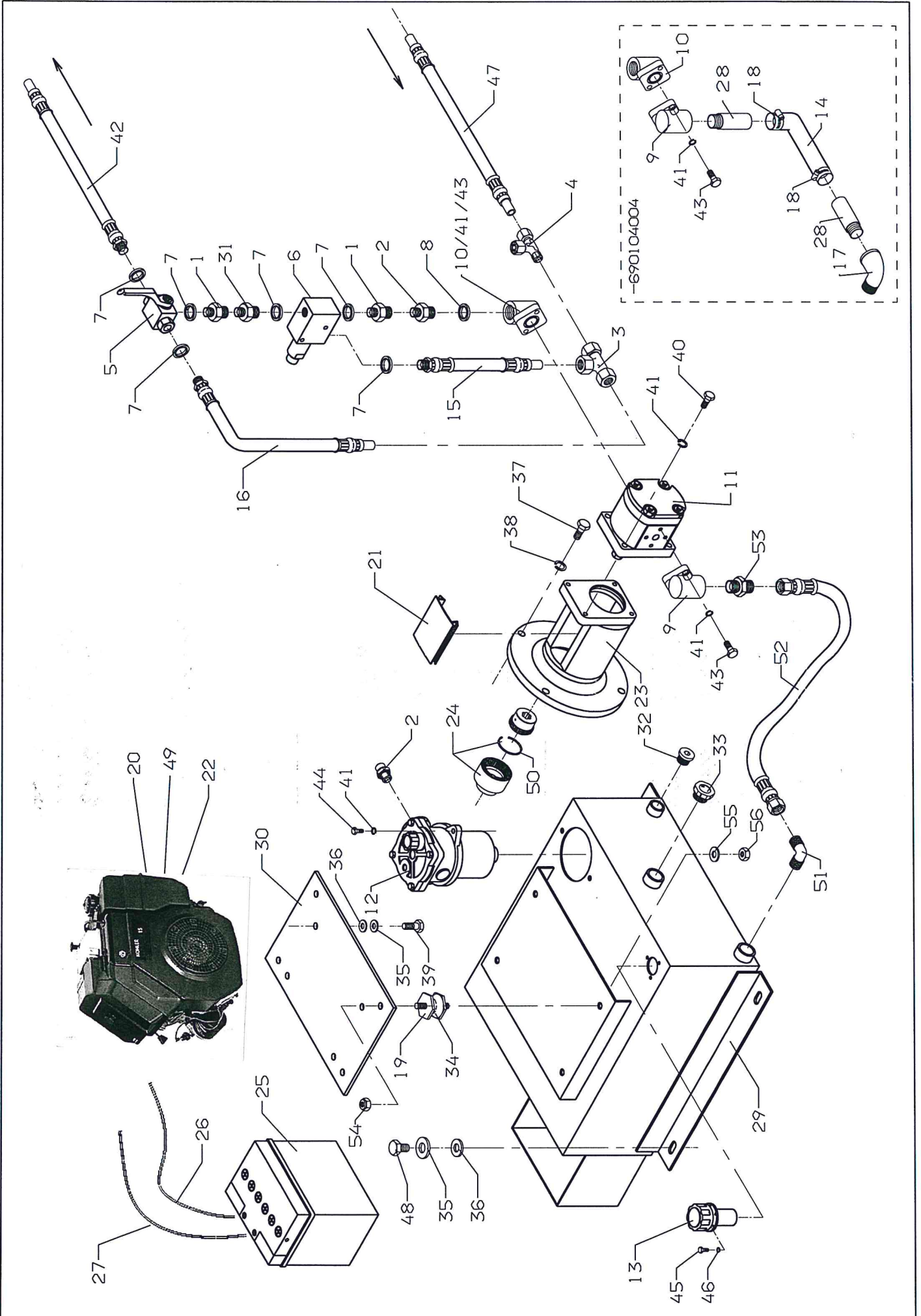
1200-1600-2000-2000S-2000SSH

| | | Hydraulik uden sidekost | Hydraulic without sidebrush | Hydraulik ohne seitenbesen |
|-----|----------|--------------------------------|--------------------------------|--------------------------------|
| Pos | Res.no. | | | Note |
| 1 | 21000813 | Hydr. brystnippel 1/2"x1/2" | Hydr. hexagon nipple 1/2"x1/2" | Hydr. Reduziernippel 1/2"x1/2" |
| 2 | 21062102 | Pakring 1/2" | Seal Ring1/2" | Dichtring 1/2" |
| 3 | 21000710 | Hydr. vinkel Ø12/Ø12 skotforsk | Hydr. elbow ø12/ø12 | Hydr. Winkel ø12/ø12 |
| 4 | 21000810 | Brystnippel 1/2"xØ12oml | Hexagon nipple 1/2"xø12oml | Reduziernippel 1/2"xø12oml |
| 5 | 21000868 | Hydr. brystnippel 3/4"x 12oml. | Hydr. Hexagonnipple. | Hydr. Reduziernippel. |
| 6 | 21000603 | Hydr. T Ø12oml-Ø12oml-Ø12oml | Hydr. T ø120ml | Hydr. T ø120ml |
| 7 | 21000706 | Hydr. vinkel ø12omlxø12studs | Hydr. elbow ø12 | Hydr. Winkel ø12 |
| 8 | 21075401 | Prioritetsventil 30L | Mortgage valve 30L | Prioritätsventil 30L |
| 8 | 22002107 | Mask. bolt M6x60 8.8 fzb | Bolt M6x60 | Bolzen M6x60 |
| 8 | 22056100 | Centerfjederskive M6 F2B | Spring washer M6 | Federscheibe M6 |
| 9 | 21038104 | Hydr. slange 3/8"x450 | Hydr. hose 3/8"x450 | Hydr. Schlauch 3/8"x450 |
| 10 | 21038219 | Hydr. slange 3/8"x1950 | Hydr. hose 3/8"x1950 | Hydr. Schlauch 3/8"x1950 |
| 11 | 21022619 | Hydr. slange Ø3/8"x1950 | Hydr. hose ø3/8"x1950 | Hydr. Schlauch ø3/8"x1950 |
| 12 | 21021109 | Hydr. slange 3/8"x900 | Hydr. hose 3/8"x900 | Hydr. Schlauch 3/8"x900 |
| 13 | 21000402 | Hankobling 1/2" sterling | Male coupling 1/2" | Hydr. Anschluss Aus.g. 1/2" |
| 14 | 21062103 | Pakring 3/4" | Seal ring 3/4" | Dichtring 3/4" |
| 15 | Å2125000 | Hydraulikrør for 2000/2000S | Hydr. pipe ø12x1530 | Hydr. Rohr ø12x1530 |
| 15 | Å2127000 | Hydr. rør 1600 | Hydr. pipe ø12x1150 | Hydr. Rohr ø12x1150 |
| 15 | Å2129000 | Hydr. rør 1200 ø12x500 | Hydr. pipe ø12x500 | Hydr. Rohr ø12x500 |
| 16 | 21000827 | Hydr. brystnippel 3/4"x1/2"oml | Hydr. hexagon nipple 3/4"x1/2" | Hydr. Reduziernippel 3/4"x1/2" |



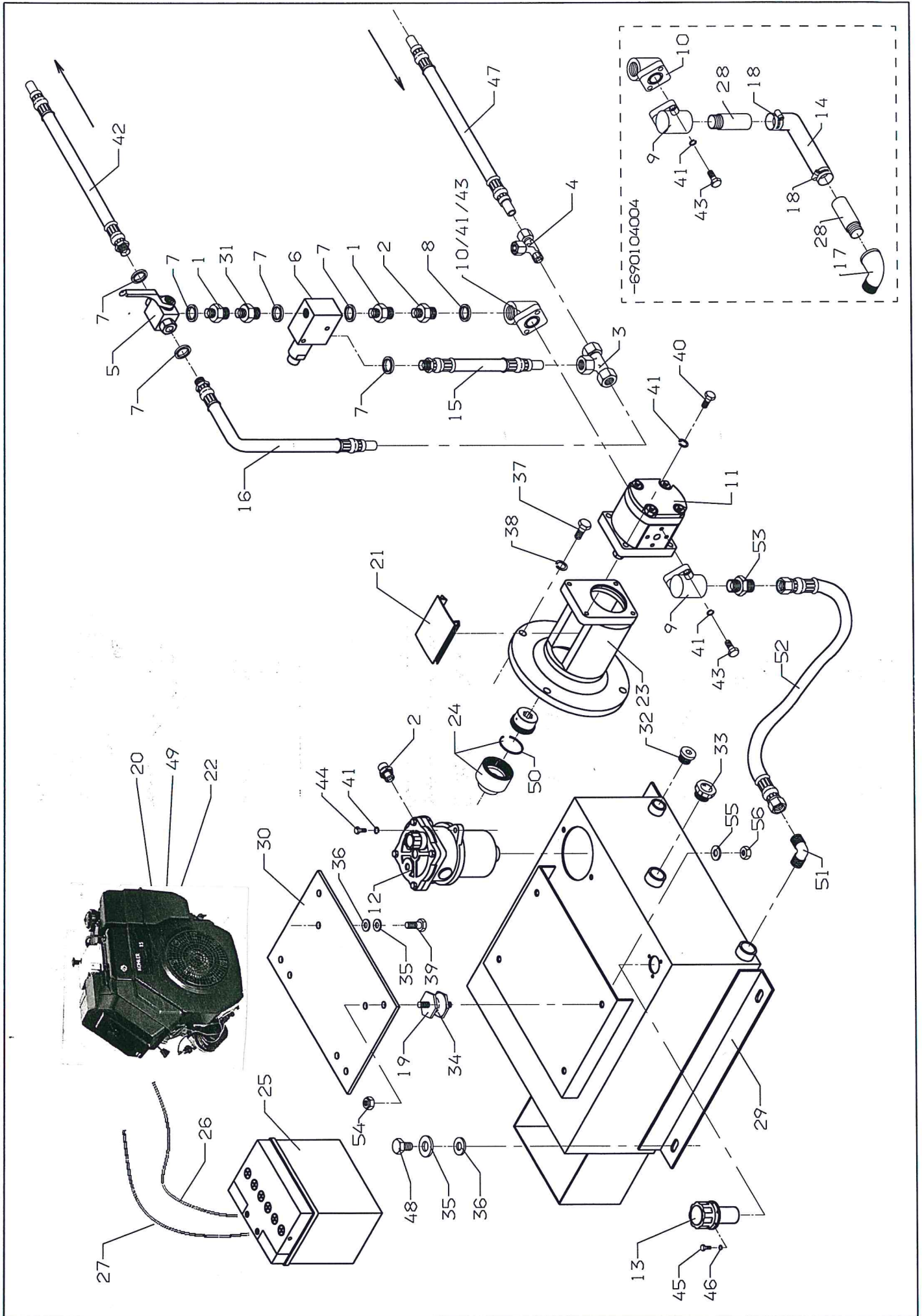
1200-1600-2000-2000S-2000SSH

| Pos | Res.no. | Hydraulik ved sidekost | Hydraulic with sidebrush | Hydraulik bei seitenbesen | Note |
|-----|----------|--------------------------------|--------------------------------|---------------------------------|------|
| 1 | Å2900000 | Sæt, sidekost for Hydro-Sweepe | Set, hydr. sidebrush for Hydro | Satz, Seitenbesen für Hydro-Sw | |
| 2 | R9003000 | Nagle f. støtteben | Pin | Stift | |
| 3 | Å2901000 | Flange svejst f/sidekost | Flange for sidebrush | Flansch für Seitenbesen | |
| 4 | Å2902000 | Beslag for motorkonsol, svejst | Fitting | Beschlag | |
| 5 | Å2903000 | Motorkonsol for sidekost, svej | Engineconsol | Motorkonsole | |
| 6 | 22059100 | Skive 50/11x4 FZV | Washer 50/13x3 | Scheibe 50/13x3 | |
| 7 | Å2905000 | Kuglehane m/beslag | Ball cock w/fitting | Kugelhahn m/Beschlag | |
| 8 | 21000706 | Hydr. vinkel ø120mlxø12studs | Hydr. elbow ø12 | Hydr. Winkel ø12 | |
| 9 | 21000608 | Hydr. T-stykke 120mlx120mlx3/8 | Hydr. T-piece 12/12 | Hydr. T-Stück 12/12 | |
| 10 | 21000610 | Hydr. T ø12studsx120mlx120ml | Hydr. T ø12 stobx120mlx120ml | Hydr. T ø12 stutzenx120mlx120ml | |
| 11 | 21075401 | Prioritetsventil 30L | Mortgage valve 30L | Prioritätsventil 30L | |
| 12 | 21038104 | Hydr. slange 3/8"x450 | Hydr. hose 3/8"x450 | Hydr. Schlauch 3/8"x450 | |
| 13 | 21038119 | Hydr. slange 3/8"x2000 | Hydr. hose 3/8"x2000 | Hydr. Schlauch 3/8"x2000 | |
| 14 | 21062102 | Pakring 1/2" | Seal Ring1/2" | Dichtring 1/2" | |
| 15 | 21072008 | Oliemotor OMP 200 HPS C25 | Oilengine OMP 200 HPS C25 | Ölmotor OMP 200 HPS C25 | |
| 15 | 21070308 | Pakningssæt DANFOSS OMP/OMR HP | Gasket set OMP/OMR HPS | Dichtungssatz OMP/OMR HPS | |
| 15 | 23000506 | Feder 8x7x30 form A | Key 8x7x30 form A | Feder 8x7x30 form A | |
| 16 | 22008203 | Sætskrue M6x12 8.8 fzb | Set screw M6x12 | Setzschraube M6x12 | |
| 17 | 22008304 | Sætskrue M8x25 8.8 fzb | Set screw M8x25 | Satzschraube M8x25 | |
| 18 | 22008507 | Sætskrue M12x45 8.8 fzb | Set screw M12x45 | Satzschraube M12x45 | |
| 19 | 22002405 | Mask. bolt M14x90 8.8 fzb | Bolt M14x90 | Bolzen M14x90 | |
| 20 | 22052004 | Låsemøtrik M10 FZB | Lock nut M10 | Gegenmutter M10 | |
| 21 | 22052005 | Låsemøtrik M12 FZB | Lock nut M12 | Gegenmutter M12 | |
| 22 | 22052006 | Låsemøtrik M14 FZB | Lock nut M14 | Gegenmutter M14 | |
| 23 | 22056100 | Centerfjederskive M6 FZB | Spring washer M6 | Federscheibe M6 | |
| 24 | 22056200 | Centerfjederskive M8 fzb | Spring washer M8 | Federscheibe M8 | |
| 25 | 22058600 | Skive M8 FZB 24/8,4x2 | Washer M8 | Scheibe M8 | |
| 26 | 23006021 | Hårnålesplit Ø3 type B | Split Pin ø3 | Splinte ø3 | |
| 27 | 27025100 | Sidekost Ø350/Ø600x225-stål | Side sweeper ø350/ø600x225 | Seitenbesen ø350/ø600x225 | |
| 28 | 21060000 | Smørenippel M6x1 lige | Grease nipple M6x1 | Schmiernippel M6x1 | |
| 29 | 27000102 | Kæde fzb. Ø5x24x45 "udv" | Chain ø5x24x45 | Kette ø5x24x45 | |
| 30 | 22008406 | Sætskrue M10x40 8.8 fzb | Set screw M10x40 | Setzschraube M10x40 | |
| 31 | 22050400 | Møtrik M10 8.8 FZB | Nut M10 | Mutter M10 | |
| 32 | Å2131000 | Spec. spændeskive | Tightning disc | Spannscheibe | |
| 33 | 22008404 | Sætskrue M10x30 8.8 fzb | Set screw M10x30 | Satzschraube M10x30 | |



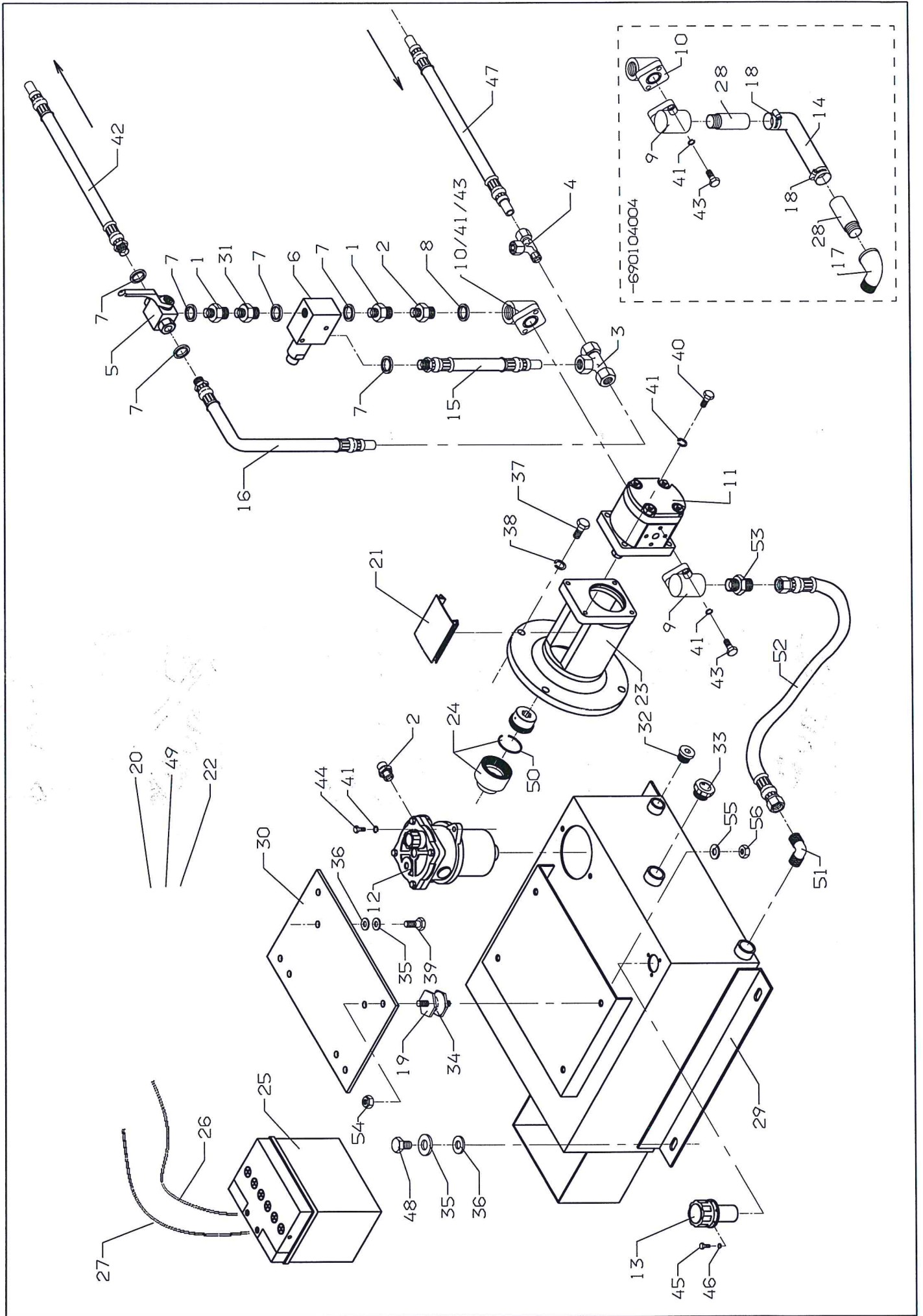
1200-1600-2000-2000S-2000SSH

| Pos | Res.no. | Hydraulik ved motor | Hydraulic with engine | Hydraulik bei motor | Note |
|-----|----------|---------------------------------|--------------------------------|--------------------------------|---------------|
| | Å2950000 | Sæt, benzinmotor for Hydro-Swe | Set, gasoline engine for Hydro | Satz, Benzinmotor für Hydro-Sw | 122.160.001 - |
| | Å2950001 | Sæt, dieselmotor for Hydro-Swe | Set, diesel engine for Hydro-S | Satz, Dieselmotor für Hydro-Sw | 124.170.001 - |
| 1 | 21000806 | Hydr. brystnippel 3/8"XØ12 | Hydr. hexagon nipple 3/8"xø12 | Hydr. Reduziernippel 3/8"xø12 | |
| 2 | 21000818 | Hydr. brystnippel 3/8"udv.xø12 | Hydr. hexagon nipple 3/8 out.x | Hydr. Reduziernippel 3/8 ausse | |
| 3 | 21000603 | Hydr. T Ø120ml-Ø120ml-Ø120ml | Hydr. T ø120ml | Hydr. T ø120ml | |
| 4 | 21000610 | Hydr. T ø12studsx120mlx120ml | Hydr. T ø12 stobx120mlx120ml | Hydr. T ø12 stutzenx120mlx120m | |
| 5 | 21075203 | Kuglehane 3-vejs bk 3-r3/8"L | Ball cock | Kugelhahn | |
| 6 | 21075500 | Overtryksventil 3/8"-140bar | Excess-pressure valve 3/8" | Überdruckventil 3/8" | |
| 7 | 21062101 | Pakring 3/8" | Seal Ring 3/8" | Dichtring 3/8" | |
| 8 | 21062102 | Pakring 1/2" | Seal Ring1/2" | Dichtring 1/2" | |
| 9 | 21010421 | 3/4" vinkelflange 2rg3/4x40 | Angle flange 3/4" | Winkel flansch 3/4" | -690104004 |
| 10 | 21010423 | 1/2" vinkelflange | Angle flange 1/2" | Winkel Flansch 1/2" | 690204001- |
| 10 | 21010422 | 1/2" vinkelflange | Angle flange 1/2" | Winkel flansch 1/2" | -690104004 |
| 11 | 21010420 | Hydr. pumpe grp. 2 2-D-10 | Hydr. pump | Hydr. Pumpe | |
| 11 | 21010419 | Hydraulikpumpe PLP20.7,2D-82E2 | Hydr. Pump. | Hydr. Pump. | |
| 11 | 27027116 | Spec. feder f. Kolermotor-pump | Spec. key | Spec. Feder | Benzin |
| 12 | 21010001 | Tanktopfilter 30L/min 10my | Filter | Filter | |
| 12 | 21010002 | Filter til tanktopfilter 50/1 | Filter | Filter | |
| 13 | 21010100 | Påfyldningsstuds f.b.o. | Charging funnel | Einfüllstützen | |
| 13 | 21010102 | Påfyldningspakning for TC0501 | Charging packing | Einfülldeckung | |
| 14 | 21039000 | Sugeslange 1" | Suction hose 1" | Saugschlauch 1" | |
| 15 | 21038104 | Hydr. slange 3/8"x450 | Hydr. hose 3/8"x450 | Hydr. Schlauch 3/8"x450 | |
| 16 | 21015106 | Hydr. slange 3/8"x670 | Hydr. hose 3/8"x670 | Hydr. Schlauch 3/8"x670 | |
| 17 | 17030901 | Spidsvinkel 3/4" galv. | Point angle 3/4" galv. | Spitzwinkel 3/4" galv. | -6901040 |
| 18 | 21080100 | Spændebånd 32-44 ABA32-44 | Clip 32-44 | Spannband 32-44 | -690104004 |
| 19 | 27027002 | Motor fødder M10 | Engine feet M10 | Motorstützen M10 | |
| 20 | 27027100 | Benzinmotor KOHLER CH15S | Gasolin engine | Bezin Motor | |
| 20 | 27027040 | Lyddæmper for Kohler, CH15S | Silencer for Kohler | Schalldämpfer für Kohler | |
| 20 | 27027103 | Udstødningspakning f. 14HK | Exhaust gasket | Abgasdichtung | |
| 20 | 22050300 | Møtrik M8 8.8 FZB | Nut M8 | Mutter M8 | |
| 20 | 22056200 | Centerfjederskive M8 fzb | Spring washer M8 | Federscheibe M8 | |
| 20 | 21080200 | Clamp Ø32 | Pipe clamp ø32 | Rohrschelle ø32 | |
| 20 | 27027105 | Kilestål 1/4"x1/4"x40 | Key steel 1/4x1/4"x40 | Keilstahl 1/4"x1/4"x40 | |
| 20 | 27027114 | Centerring pumpe flange | Flange pump | Flansch für Pumpe | |
| 20 | 27027115 | Slange f.olie aftapning | Hose for oil stepping | Schlauch für Ölablass | 122.280.001 - |
| 20 | 21040006 | Omløber ø12/18x1.5 M12-1 | Circulation | Umlaufer | 122.280.001 - |
| 20 | 21010226 | Blændprop ø12 0BU12L | Plug ø12 | Deckel ø12 | 122.280.001 - |
| 20 | 27027106 | Luftfilter CH14S/CH15S NR.4708 | Airfilter | Luftfilter | |
| 21 | 27027013 | Afdækning på hals | Uncovering | Abdeckung | |
| 22 | 27027209 | Gashåndtag f.diesel motor | Throttle control | Gashebel | |
| 22 | Å2958102 | Udvendig gaskabel | Outside gascable | Auswendig Gaskabel | |
| 22 | Å2958103 | Indvendig gaskabel | Inside gascable | Inner Gaskabel | |
| 22 | 22014404 | Skrue M8x20 8.8 UH FZB indiv. 6 | Screw M8x20 UH | Schraube M8x20 UH | |
| 22 | 22052003 | Låsemøtrik M8 FZB | Lock nut M8 | Gegenmutter M8 | |
| 22 | Å2958000 | Beslag for gashåndtag | Fitting for gascable | Beschlag für Gaskabel | |
| 23 | 27027003 | Hals f. pumpe | Neck f. pumpe | Hals f. pumpe | Benzin |



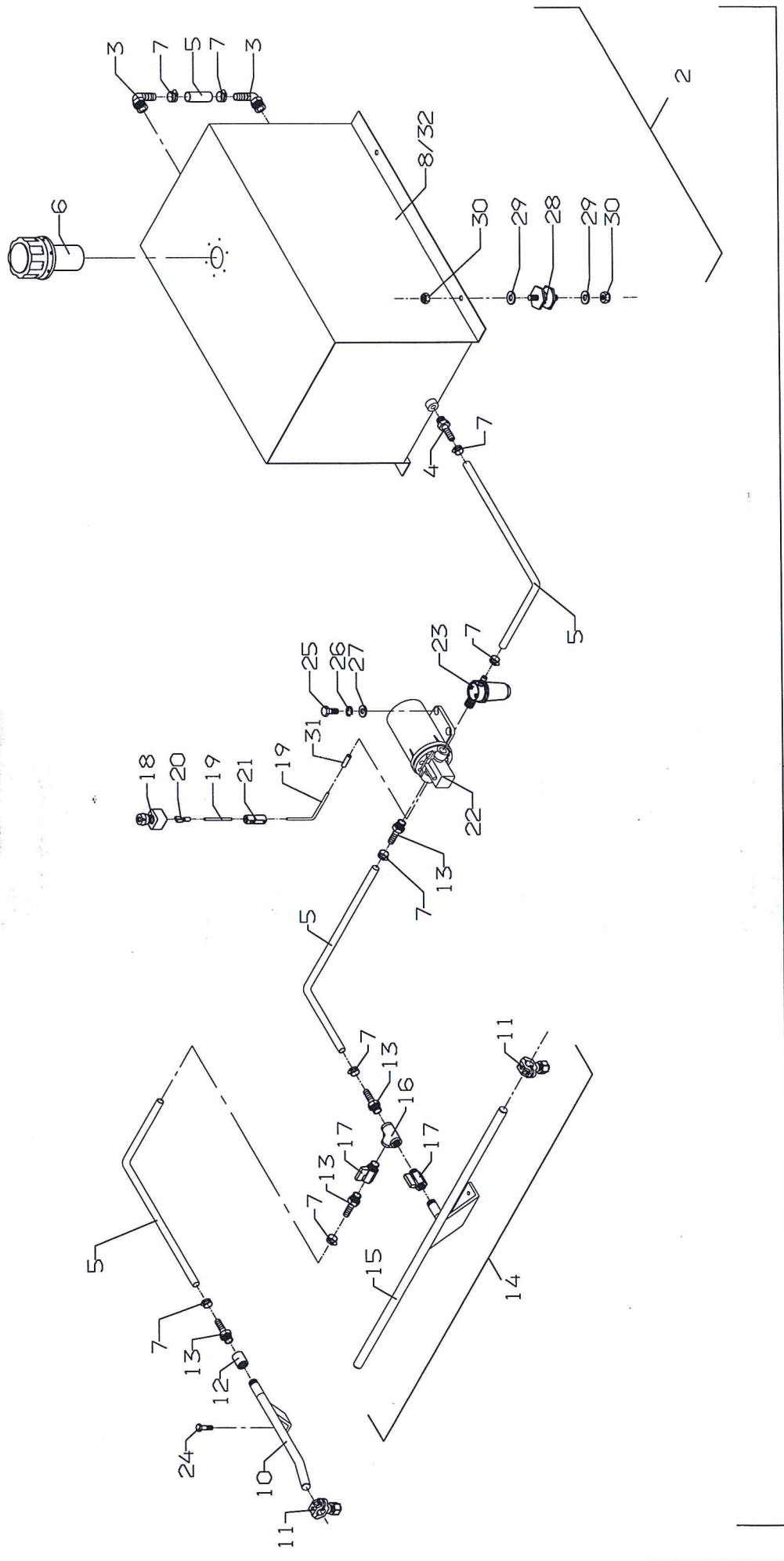
1200-1600-2000-2000S-2000SSH

| Pos | Res.no. | Hydraulik ved motor | Hydraulic with engine | Hydraulik bei motor | Note |
|-----|----------|---------------------------------|--------------------------------|--------------------------------|------------|
| 23 | 27027021 | Flange GR2 kpl.OHC/CH1/C | Flange | Flansch | Diesel |
| 24 | 27027020 | Kobling komplet, for Kohler CH | Coupling | Kupplung | Benzin |
| 24 | 22018029 | Stopskrue M8x8 45H sort m/ktrat | Headless screw M8x8 | Anschlagsschraube M8x8 | Benzin |
| 25 | 27027800 | Batteri 12v | Battery 12v | Batterie 12v | Benzin |
| 25 | 27027801 | Batteri 12v 62amp | Battery 12V | Batterie 12V | Diesel |
| 26 | Å2953000 | Kabel f. + l=350 | Cable L=350 | Kabel L=350 | Benzin |
| 26 | Å2953001 | Kabel f. + l=800 | Cable + l=800 | Kabel + l=800 | Diesel |
| 27 | Å2954000 | Kabel f. - l=450 | Cable L=450 | Kabel L=450 | Benzin |
| 27 | Å2954001 | Kabel f. - l=600 | Cable - l=600 | Kabel - l=600 | Diesel |
| 28 | Å2951000 | Rørstykke f. sugeslange | Pipe piece | Röhrstück | -690104004 |
| 29 | Å2952000 | Tank for benzinmotor, svejst | Tank for engine | Tank für Motor | |
| 29 | Å2952001 | Tank for dieselmotor, svejst | Tank f. diesel engine | Tank f. Dieselmotor | |
| 30 | Å2955000 | Melleplade for benzinmotor | Division plate | Mittelplatte | |
| 31 | 21000818 | Hydr. brystnippel 3/8udv.xø12 | Hydr. hexagon nipple 3/8 out.x | Hydr. Reduziernippel 3/8 ausse | |
| 32 | 21010202 | Olieprop 1/2" gr.508 din 908 | Drainplug 1/2" | Ölablasstopfen 1/2" | |
| 33 | 26092911 | Skueglas 3/4" | Level plug | Schauglas | |
| 34 | 22058410 | Facetskive M10 FZB 20/10.5X2 | Facet disc M10 | Facettenscheibe M10 | Diesel |
| 34 | 27027208 | Svingningsdæmper H60 | Vibration damper | Schwingungsdämpfer | Diesel |
| 34 | 22008402 | Sætskrue M10x20 8.8 fzb | Set screw M10x20 | Satzschraube M10x20 | Diesel |
| 34 | 22056300 | Centerfjederskive M10 FZB | Spring washer M10 | Federscheibe M10 | Diesel |
| 34 | 22008302 | Sætskrue M8x16 8.8 fzb | Set screw M8x16 | Setzschraube M8x16 | Diesel |
| 34 | 22052003 | Låsemøtrik M8 FZB | Lock nut M8 | Gegenmutter M8 | Diesel |
| 35 | 22056300 | Centerfjederskive M10 FZB | Spring washer M10 | Federscheibe M10 | |
| 36 | 22058410 | Facetskive M10 FZB 20/10.5X2 | Facet disc M10 | Facettenscheibe M10 | |
| 37 | 22004015 | Stålbolt 7/16"uncx32 FZB | Steel bolt 7/16 | Stahl bolzen 7/16 | |
| 38 | 22056400 | Centerfjederskive M12 FZB | Spring washer M12 | Federscheibe M12 | |
| 39 | 22004014 | Stålbolt 3/8"UNCx25 fzb | Steel bolt 3/8 | Stahl bolzen 3/8 | |
| 40 | 22008305 | Sætskrue M8x30 8.8 fzb | Set screw M8x30 | Setzschraube M8x30 | |
| 41 | 22056200 | Centerfjederskive M8 fzb | Spring washer M8 | Federscheibe M8 | |
| 42 | 21015112 | Hydr. slange 3/8"x1200 | Hydr. hose 3/8"x1200 | Hydr. Schlauch 3/8"x1200 | |
| 43 | 22010406 | Skrue M8x25 12.9 CH sort indiv. | Screw M8x25 12.9 black | Schraube M8x25 12.9 Schwarz | |
| 44 | 22008304 | Sætskrue M8x25 8.8 fzb | Set screw M8x25 | Satzschraube M8x25 | |
| 45 | 22031001 | Maskinskrue M5x16 FZB CH | Machine screw M5x16 | Maschineschraube M5x16 | |
| 46 | 22056000 | centerfjederskive M5 fzb | Spring washer M5 | Federscheibe M5 | |
| 47 | 21016108 | Hydr. slange 3/8"x800 | Hydr. hose 3/8"x800 | Hydr. Schlauch 3/8"x800 | |
| 48 | 22008403 | Sætskrue M10x25 8.8 fzb | Set screw M10x25 | Satzschraube M10x25 | |
| 49 | 27027200 | Dieselmotor "RUGGERINI-MD151 | Diesel engine | Dieselmotor | |
| 49 | 27027202 | Ekstern olie filter f. MD151 | Extern oilfilter | Extern Ölfilter | |
| 49 | 27027203 | Brændstoffilter f. MD151 | Fuelfilter | Kraftstoffreiniger | |
| 49 | 27027204 | Oliebadsfilter f. MD151 | Oil retaining filter | Ölbad Filter | |
| 49 | 27027205 | Luftfilter (Våd filter) f. MD1 | Airfilter | Luftfilter | |
| 49 | 27027207 | Startpanel MD2 | Start panel | Start Tafelung | |
| 49 | 27027200 | Dieselmotor "RUGGERINI-MD151 | Diesel engine | Dieselmotor | |
| 50 | 23005135 | Låsering Ø25 indvendig | Ring lock Ø25 | Schließring Ø25 | |
| 51 | 21000721 | Hydr. vinkel 3/4"x3/4"m/konus | Hydr. Angle | Hydr. Winkel | 690204001- |
| 52 | 21034350 | Hydr. slange 3/4"x265 | Hydr. Hose 3/4" | Hydr. Schlauch 3/4" | 690204001- |



1200-1600-2000-2000S-2000SSH

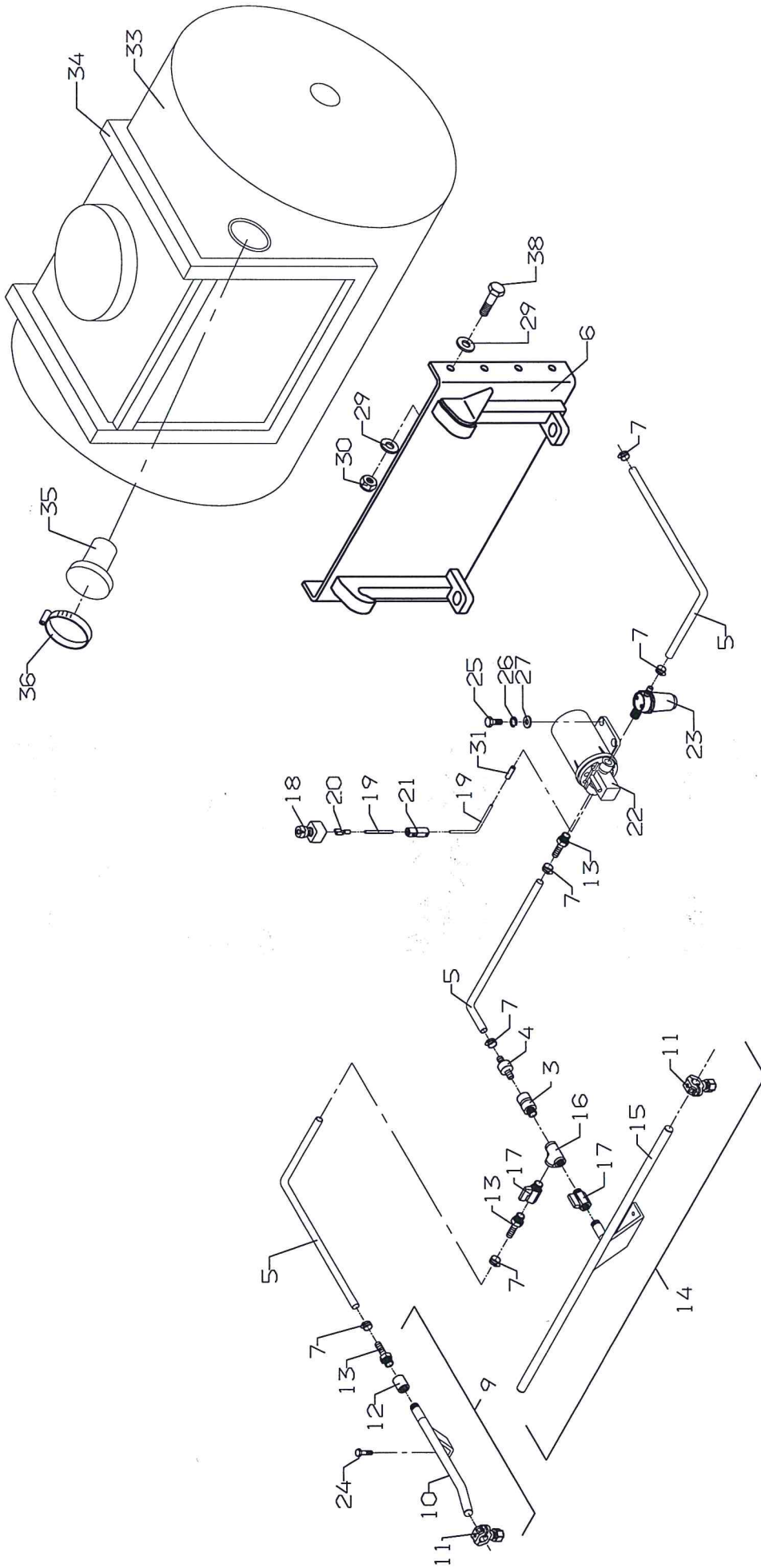
| | Hydraulik ved motor | Hydraulic with engine | Hydraulik bei motor | |
|-----|---------------------|-----------------------------|--------------------------------|---|
| Pos | Res.no. | | | Note |
| 53 | 21000820 | Hydr. brystnippel 3/4"x1/2" | Hydr. hexagon nipple 3/4"x1/2" | Hydr. Reduziernippel 3/4"x1/2" 690204001- |
| 54 | 22052004 | Låsemøtrik M10 FZB | Lock nut M10 | Gegenmutter M10 |
| 55 | 22056300 | Centerfjederskive M10 FZB | Spring washer M10 | Federscheibe M10 |
| 56 | 22050400 | Møtrik M10 8.8 FZB | Nut M10 | Mutter M10 |



1

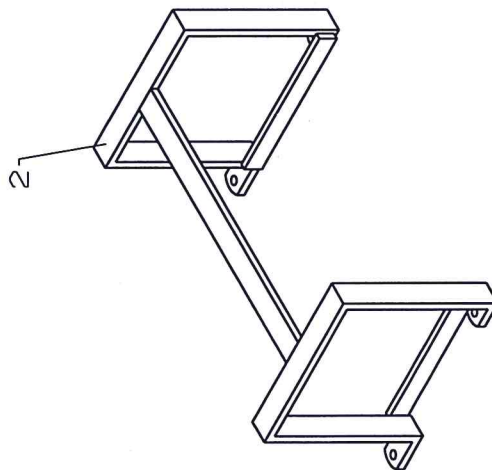
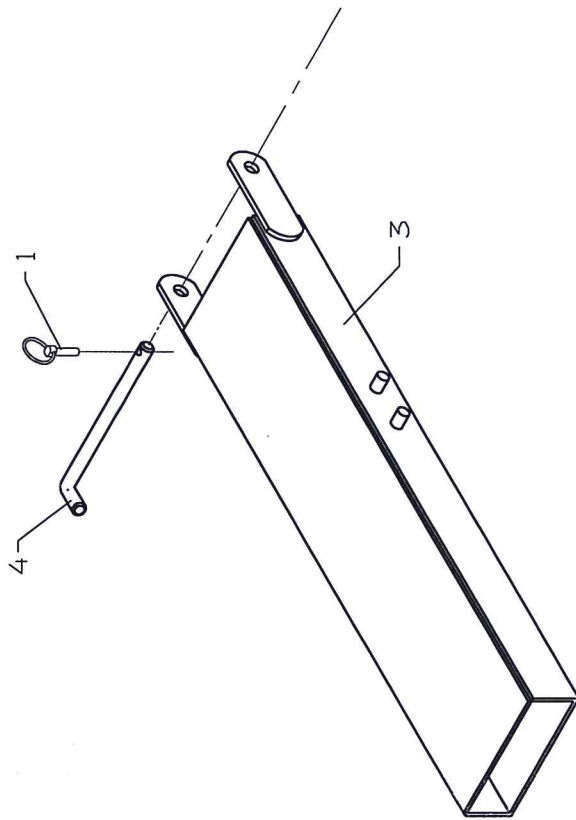
1200-1600-2000-2000S-2000SSH

| Pos | Res.no. | Vandanlæg | Water spray system | Wasserdüsenanlage | Note |
|-----|----------|--------------------------------|--------------------------------|--------------------------------|------|
| 1 | Å2970003 | Sæt, vandanlæg til 2000-2000S | Set, water spray system 2000/2 | Satz, Bewässerringsanlage 2000 | |
| 1 | Å2970004 | Sæt, vandanlæg til 1600 | Set, water spray system 1600 | Satz, Bewässerringsanlage 1600 | |
| 1 | Å2970005 | Sæt, vandanlæg til 1200 | Set, water spray system 1200 | Satz, Bewässerringsanlage 1200 | |
| 2 | Å2971001 | Vandtank monteret | Water tank, mounted | Wassertank montiert | |
| 3 | 17050205 | Vinkelslange nippel 3/8"xø10 | Nipple 3/8" | Nippel 3/8" | |
| 4 | 17050504 | Slange studs 3/8"x3/8" | Hose stub 3/8" | Schlauch nippel 3/8" | |
| 5 | 20030004 | Kryds armeretplastslange 3/8" | Waterhose 3/8" | Wasserschlauch 3/8" | |
| 5 | 20010700 | Kabelbinder YJ-292B 292x4.8 | Cable ties | Kabelhalter | |
| 5 | 20010701 | Kabelbinder YJ-100B 100x2.5 | Cable ties | Kabelhalter | |
| 6 | 21010101 | Påfyldningsfilter TC0501 | Filler screen | Befüllungsfilter | |
| 6 | 22077000 | Rustfri sætskrue M5x12 | Rustproof setscrew M5x12 | Rostfrei Satzschraube M5x12 | |
| 7 | 21080105 | Spændebånd 12-22/9-C7W1 | Clip 15-20/9 | Spannband 15-20/9 | |
| 8 | Å2971042 | Vandtank svejst | Water tank | Wassertank | |
| 9 | Å2972001 | Spreder sidekost mont. | Sprinkler mounted | Wasserdüse montiert | |
| 10 | Å2972041 | Spreder sidekost svejst | Sprinkler | Wasserdüse | |
| 11 | 17052010 | Montagebøjle 090.053.51 | Mounting bow | Anbaubügel | |
| 11 | 17052020 | Dyse 652.366.5E | Nozzle | Düse | |
| 11 | 17052030 | Omløber 065.200.5E | Union 065.200.5E | Umläufer 065.200.5E | |
| 11 | 17052040 | Filter 065.265.56 | Filter 065.265.56 | Filter 065.265.56 | |
| 11 | 17052050 | Gummitætning 095.015.7C01.3 | Rubber packing | Gummidichtung | |
| 12 | 17030350 | Muffe 3/8"x26 AISI 316 | Nipple pipe 3/8"x30 AISI 316 | Muffe Rohr 3/8"x30 AISI 316 | |
| 13 | 17050550 | Rustfri slangenippel 3/8"x3/8" | Rustproof hose nipple 3/8" | Rostfrei Schlauch nippel 3/8" | |
| 14 | Å2973001 | Spredebom 2000 mont. | Water spray bar 2000 | Wasserdüse rohr montiert 2000 | |
| 14 | Å2974001 | Spredebom 1600 mont. | Water spray bar 1600 | Wasserdüse rohr montiert 1600 | |
| 14 | Å2975001 | Spredebom 1200 mont. | Water spray bar 1200 | Wasserdüse rohr montiert 1200 | |
| 15 | Å2973041 | Spredebom 2000 svejst | Water spray bar 2000 | Wasserdüse rohr 2000 | |
| 15 | Å2974041 | Spredebom 1600 svejst | Water spray bar 1600 | Wasserdüse rohr 1600 | |
| 15 | Å2975041 | Spredebom 1200 svejst | Water spray bar 1200 | Wasserdüse rohr 1200 | |
| 16 | 17031150 | Rustfri T-stykke B2-3 3/8" | Rustproof T-piece | Rostfrei T-stück | |
| 17 | 17051010 | Balofix hane 3/8" | Cock 3/8" | Ventil 3/8" | |
| 18 | 20009651 | Kontakt 1>0 K3995-12 | Switch 1>0 | Schalter 1>0 | |
| 19 | 20010000 | Kabel 2-ledet 1.5mm2 | Cable | Kabel | |
| 20 | 20010101 | Kabelsko hun 6,3 1,5-2,5 kv | Cable eye 6,3 1,5-2,5 kv | Kabelschuh 6,3 1,5-2,5 kv | |
| 21 | 20012000 | Sikringsholder KA 4100-8 | Fusenholder | Sicherungshalter | |
| 21 | 20012001 | Sikring 16 amp. ES832-16 | Safety catch 16 | Sicherung 16 | |
| 22 | 20025002 | Pumpe FLOJET 12V afbryder 60PS | Pump 12V | Pumpe 12V | |
| 23 | 20025050 | Filter F-DO 01600+001 3/8"Bx3/ | Filter for pump | Filter für Pumpe | |
| 24 | 22002301 | Mask. bolt M12x50 8.8 fzb | Bolt M12x50 | Bolzen M12x50 | |
| 25 | 22008205 | Sætskrue M6x20 8.8 fzb | Set screw M6x20 | Setzschraube M6x20 | |
| 26 | 22056100 | Centerfjederskive M6 FZB | Spring washer M6 | Federscheibe M6 | |
| 27 | 22058401 | Skive M6 FZB 18/6,4x1,6 | Washer M6 | Scheibe M6 | |
| 28 | 27027002 | Motor fødder M10 | Engine feet M10 | Motorstützen M10 | |
| 29 | 22058411 | Skive M10 FZB 20/10.5X2 | Washer M10 | Scheibe M10 | |
| 30 | 22052004 | Låsemøtrik M10 FZB | Lock nut M10 | Gegenmutter M10 | |
| 31 | 20010110 | Samlemuffe 1,0-2.5kv. "BLÅ" | Conn. coupling 1,0-2.5kv blue | Sammelmuffe 1,0-2.5kv Blau | |
| 32 | Å2970006 | Sæt, ekstra vandtank for 1600 | Set, extra watertank for Hydro | Satz, Extra Wassertank für Hyd | |
| 32 | 17050401 | T- STYKKE TIL VANDANLÆG | T-piece ø10 | T-stück ø10 | |



1200-1600-2000-2000S-2000SSH

| Pos | Res.no. | Vandanlæg "Avant" | Water spray system | Wasserdüsenanlage | Note |
|-----|----------|--------------------------------|-------------------------------|-------------------------------|------|
| 1 | Å2970008 | Sæt, spec. vandanlæg 1200 til | Set, spec. watertank 1200 for | Satz, Bewässerungsanlage 1200 | |
| 2 | Å2971001 | Vandtank monteret | Water tank, mounted | Wassertank montiert | |
| 3 | 17050560 | Lynkobling MS Hun. udv 3/8" (m | Swiftness Coubling | Schnell kopplung | |
| 4 | 17050561 | Lynkobl. MS Han. sl.nippel 10m | Swiftness coupling | Schnell kopplung | |
| 5 | 20030004 | Kryds armeretplastslange 3/8" | Waterhose 3/8" | Wasserschlauch 3/8" | |
| 5 | 20010700 | Kabelbinder YJ-292B 292x4.8 | Cable ties | Kabelhalter | |
| 5 | 20010701 | Kabelbinder YJ-100B 100x2.5 | Cable ties | Kabelhalter | |
| 6 | Å2927041 | Ophæng for AVANT/Hardi vandtan | Suspension | Aufhängung | |
| 7 | 21080105 | Spændebånd 12-22/9-C7W1 | Clip 15-20/9 | Spannband 15-20/9 | |
| 9 | Å2972001 | Spreder sidekost mont. | Sprinkler mounted | Wasserdüse montiert | |
| 10 | Å2972041 | Spreder sidekost svejst | Sprinkler | Wasserdüse | |
| 11 | 17052010 | Montagebøjle 090.053.51 | Mounting bow | Anbaubügel | |
| 11 | 17052020 | Dyse 652.366.5E | Nozzle | Düse | |
| 11 | 17052030 | Omløber 065.200.5E | Union 065.200.5E | Umläufer 065.200.5E | |
| 11 | 17052040 | Filter 065.265.56 | Filter 065.265.56 | Filter 065.265.56 | |
| 11 | 17052050 | Gummitætning 095.015.7C01.3 | Rubber packing | Gummidichtung | |
| 12 | 17030350 | Muffe 3/8"x26 AISI 316 | Nipple pipe 3/8"x30 AISI 316 | Muffe Rohr 3/8"x30 AISI 316 | |
| 13 | 17050550 | Rustfri slangenippel 3/8"x3/8" | Rustproof hose nipple 3/8" | Rostfrei Schlauch nippel 3/8" | |
| 14 | Å2975001 | Spredebom 1200 mont. | Water spray bar 1200 | Wasserdüse rohr montiert 1200 | |
| 15 | Å2975041 | Spredebom 1200 svejst | Water spray bar 1200 | Wasserdüse rohr 1200 | |
| 16 | 17031150 | Rustfri T-stykke B2-3 3/8" | Rustproof T-piece | Rostfrei T-stück | |
| 17 | 17051010 | Balofix hane 3/8" | Cock 3/8" | Ventil 3/8" | |
| 18 | 20009651 | Kontakt 1>0 K3995-12 | Switch 1>0 | Schalter 1>0 | |
| 19 | 20010000 | Kabel 2-ledet 1.5mm2 | Cable | Kabel | |
| 20 | 20010101 | Kabelsko hun 6,3 1,5-2,5 kv | Cable eye 6,3 1,5-2,5 kv | Kabelschuh 6,3 1,5-2,5 kv | |
| 21 | 20012000 | Sikringsholder KA 4100-8 | Fusenholder | Sicherungshalter | |
| 21 | 20012001 | Sikring 16 amp. ES832-16 | Safety catch 16 | Sicherung 16 | |
| 22 | 20025002 | Pumpe FLOJET 12V afbryder 60PS | Pump 12V | Pumpe 12V | |
| 23 | 20025050 | Filter F-DO 01600+001 3/8"Bx3/ | Filter for pump | Filter für Pumpe | |
| 24 | 22002301 | Mask. bolt M12x50 8.8 fzb | Bolt M12x50 | Bolzen M12x50 | |
| 25 | 22008205 | Sætskrue M6x20 8.8 fzb | Set screw M6x20 | Setzschraube M6x20 | |
| 26 | 22056100 | Centerfjederskive M6 FZB | Spring washer M6 | Federscheibe M6 | |
| 27 | 22058401 | Skive M6 FZB 18/6,4x1,6 | Washer M6 | Scheibe M6 | |
| 29 | 22058610 | Skive M12 ø23/ø13x2,5 FZB | Disc M12 | Scheibe M12 | |
| 30 | 22052005 | Låsemøtrik M12 FZB | Lock nut M12 | Gegenmutter M12 | |
| 31 | 20010110 | Samlemuffe 1,0-2.5kv. "BLÅ" | Conn. coupling 1,0-2.5kv blue | Sammelmuffe 1,0-2.5kv Blau | |
| 32 | 17050401 | T- STYKKE TIL VANDANLÆG | T-piece ø10 | T-stück ø10 | |
| 33 | 20027000 | Vandtank BL200 (Hardi) | Water tank | Wassertank | |
| 34 | 20027001 | Trepunktsoph. for vandtank BL2 | threepoint f/water tank | Dreipunkt f/wassertank | |
| 35 | 20027002 | Prop S53. med O-ring | Plug | Pfropfen | |
| 36 | 20027003 | Krampe til Prop S53. med O-rin | Staple | Krampen | |
| 37 | V9202051 | Stang for håndtag, svejst | Right, handgrif | Recht, Handgriff | |
| 38 | 22006503 | Sætskrue M12x30 8.8 sort | Set screw | Setzschraube | |



1200-1600-2000-2000S-2000SSH

| | Ekstra udstyr | Extra equipment | Extra Ausrüstung |
|-----|---------------|--------------------------------|--------------------------------|
| Pos | Res.no. | | Note |
| | Å2100030 | Sæt, bred bøjle & truck-kasse | Set, wide bow & truck-box 1600 |
| | Å2100030 | Sæt, bred bøjle & truck-kasse | Satz, breit Bügel & Truck-Kast |
| 1 | 23006002 | Traktorsplit 08X40 | Split Pin 08x40 |
| | 23006002 | Traktorsplit 08X40 | Splint 08x40 |
| 2 | Å2106002 | Bøjle for truckkasse spec., sv | Bow for truck-box spec. |
| | Å2106002 | Bøjle for truckkasse spec., sv | Bügel für Truck-Kasten spec. |
| 3 | Å2107006 | Truckkasse spec., svejst 1600- | Truck-box spec. |
| | Å2107006 | Truckkasse spec., svejst 1600- | Truck-Katen spec. |
| 4 | Å2139002 | Nagle for truck-kasse, lang | Pin for Truck-box |
| | Å2139002 | Nagle for truck-kasse, lang | Nagel für Truck-Katen |

