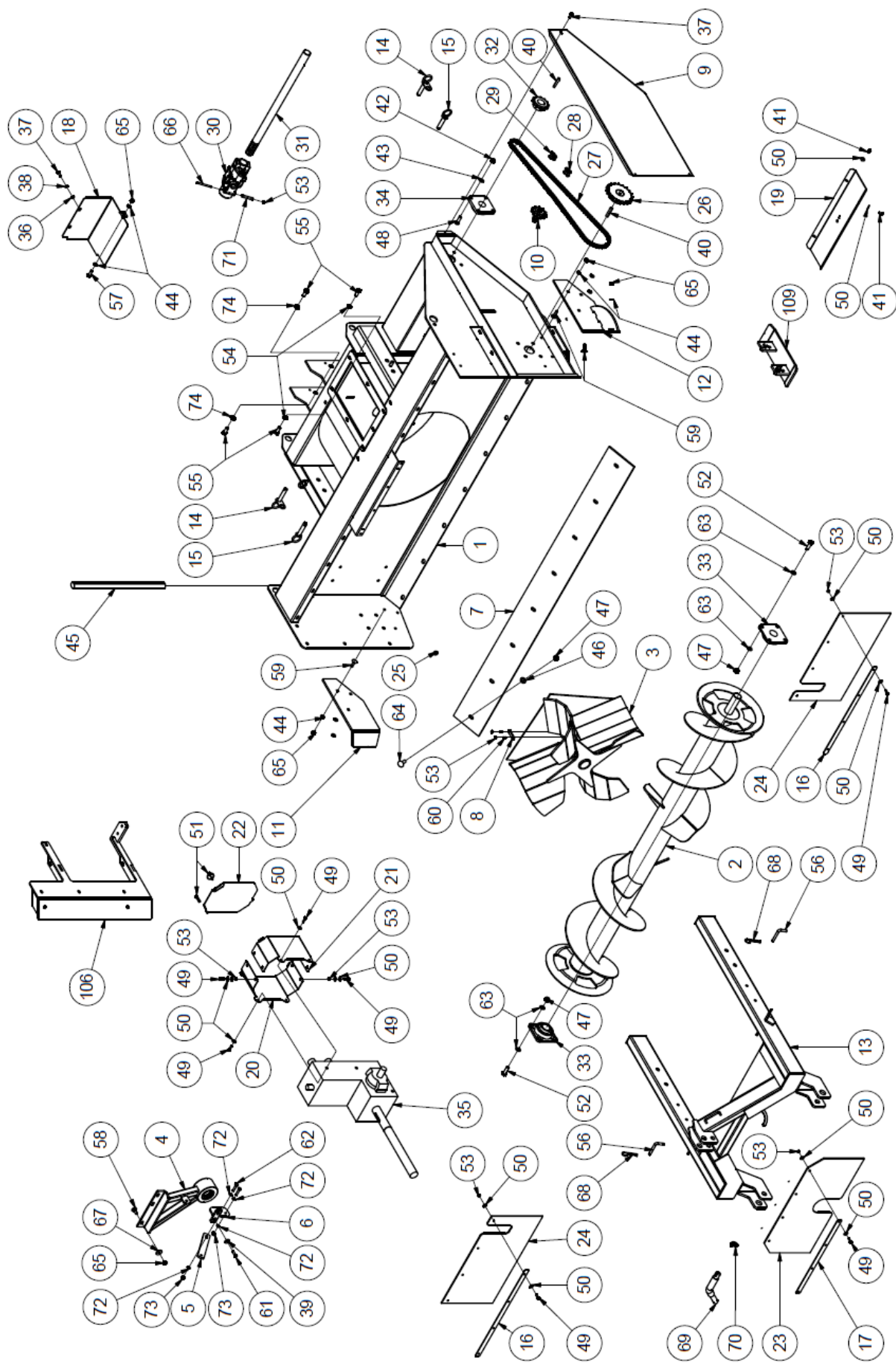


15. Spare part list

Typing.	Fabrikationsnr.:
Type no.:	Prod. no.:
Ballart nr.: _____	Prod. nr.: _____
Årgang:	Max. arb. tryk:
Year:	Max. pressure:
Jahr: _____	Max. Druck: _____
Egenvægt:	Spænding:
Own weight:	Voltage:
Eigengewicht: _____	Spannung: _____
Max. last:	
Max. load:	
Max. Last: _____	



S4.200.026 - Snow blower - S2450 Telemark - base machine

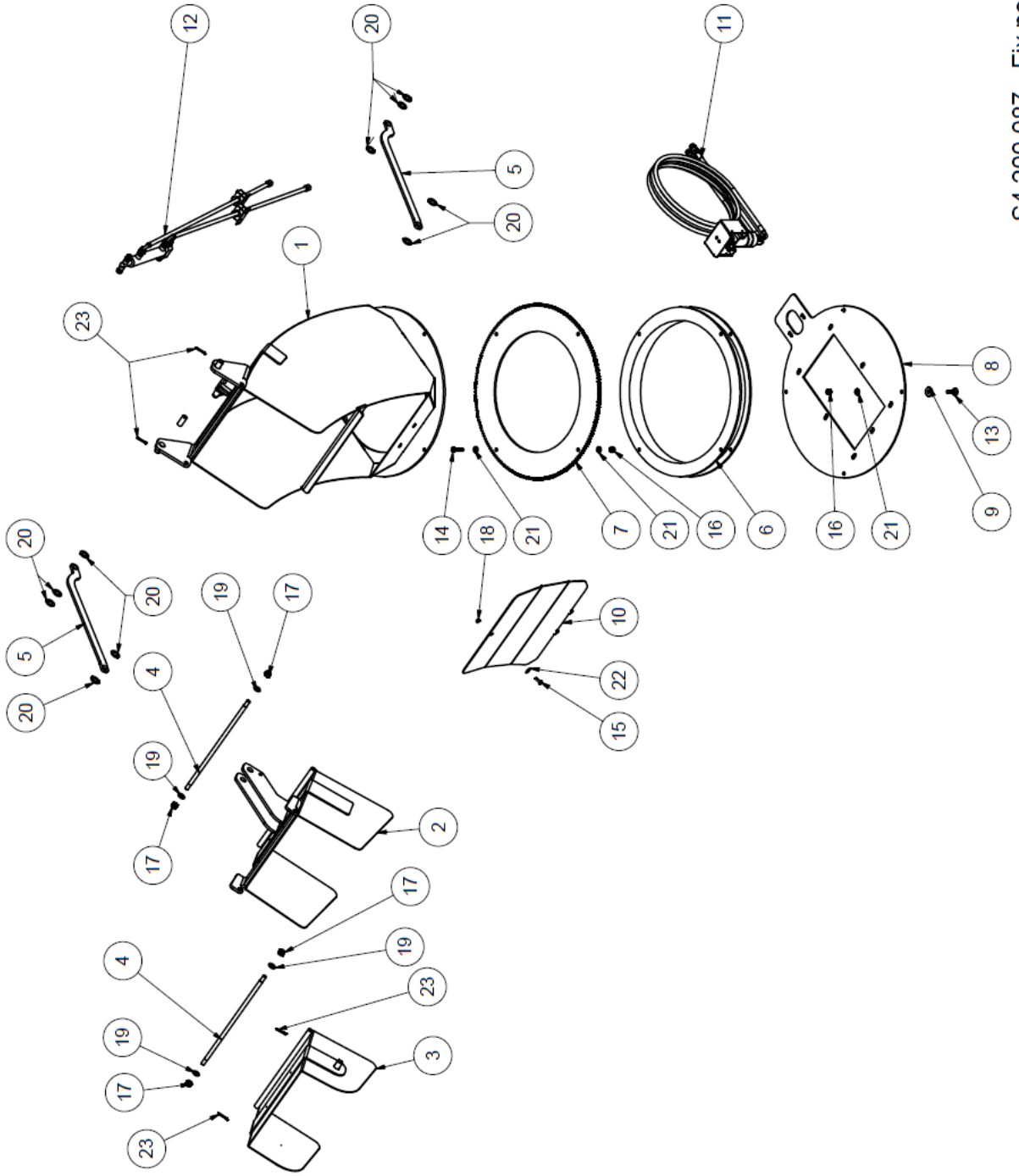
S4200026 Snow blower S2450 TELEMAR

BOM version: BOM05105092

X = See separate drawing

Pos.	Item number	Description
001	S4401005	Frame for S2450 Telemark
002	S4405002	Screw conveyor for S-2450 MK III
003	S4408002	Impeller for S-2450, Spec.
004	S4407001	Support bearing mounting S-2450 100HP
005	S4407108	Splice f. strut
006	S4407042	Suspension f. strut
007	S4011014	Share for S-2450 MK III
008	S4211000	Key, Drilled
009	S4401250	Chain guard for S2450 Telemark
010	S4204005	Set, chain tigthener
011	S4401067	Side screen right, welded S2450 Telemark
012	S4401068	Side screen left, welded
013	S4410002	Three point frame MK IV
014	S4214000	Ring bolt $\varnothing 20 \times 100$
015	R3015000	Ring bolt
016	S4401187	Side rail for rubber S2450 MK IV
017	S4401188	Middle rail for rubber S2450 MK IV
018	S4401243	Cover for bolt coupling short
019	S4401247	Cover for drive shaft
020	S4508100	Side plate for PTO guard, right
021	S4508101	Side plate for PTO guard, left
022	S4508102	Cover for PTO, front
023	8000033	Rubber cover 6x375x800
024	8000112	Rubber Cover
025	8010034	Plastic plug $\varnothing 13$ Inside 25,3, outside
026	26020200	Chain wheel 1"
027	S4401212	Heavy duty chain 1"-16BH - 77 rollers
028	26030022	Joint link simple 1"x17,02 16BH
029	26030039	Joint cranked link 1" 16BH
030	26080500	Bolt coupling S60 2500Nm
031	26085013	Spline shaft
032	26020112	Chain wheel 1"-12z
033	25020600	Flanged bearing UCF 210- $\varnothing 50$
034	25020501	Bearing FWS 45 U GGG
035	26092980	Gearbox 1 3/4" 100HP
036	22058410	M10 140HV FZB DIN 125 ISO7090 Flat Washer with chamfer
037	22008403	M10x25 8.8 FZB DIN933 Hex Cap Screw

038	22056300	M10 SS FZB DIN128A Spring Lock Washer curved
039	22058700	M10 140HV FZB DIN9021A/ ISO7093 Flat Washer without chamfer,
040	23002801	14x9x55 CK 45 DIN 6887 Taper Key
041	22008303	M8x20 8.8 FZB DIN933/ ISO4017 Hex Cap Screw
042	22052006	M14 6 FZB DIN985 Prevailing Torque Hex Nut with polyamide insert
043	22059401	1/2" ϕ 14,5x ϕ 29x1,75 St FZB DIN1440/Tol. DIN 522C Flat Washer
044	22058610	M12 140HV FZB DIN 125 ISO7090 Flat Washer with chamfer
045	29011010	Wooden rod 30x40x670
046	22058701	5/8" 35x17x3 8.8 FZB DIN 1440 Flat Washer
047	22052007	M16 6 FZB DIN985 Prevailing Torque Hex Nut with polyamide insert
048	22008604	M14x45 8.8 FZB DIN933 Hex Cap Screw
049	22008305	M8x30 8.8 FZB DIN933/ ISO4017 Hex Cap Screw
050	22058600	M8 140HV FZB DIN9021A/ ISO7093 Flat Washer without chamfer,
051	23006000	ϕ 4,5x33x35 SS FZB Spring Cotter for bolt
052	22008706	M16x50 8.8 FZB DIN933/ ISO4017 Hex Cap Screw
053	22052003	M8 6 FZB DIN985 Prevailing Torque Hex Nut with polyamide insert
054	22056452	M16 8.8 FZB NL16 Nord-Lock Washer For Hex Head and Machine S
055	22008703	M16x35 8.8 FZB DIN933/ ISO4017 Hex Cap Screw
056	23006204	Spike ϕ 12 MK IV
057	22008505	M12x35 8.8 FZB DIN933 Hex Cap Screw
058	22025402	M12x35 8.8 FZB DIN603-8.8 spec. Round Square Neck Bolt
059	22025404	M12x45 4.6 FZB DIN 603/555 Round Head Square Neck Bolt with
060	22018033	M8x20 45RAW DIN 916 / ISO 4029 Socket Set Screw with cup point
061	22008405	M10x35 8.8 FZB DIN933 Hex Cap Screw
062	22008407	M10x45 8.8 FZB DIN933 Hex Cap Screw
063	22058704	M16 140HV FZB DIN 125 ISO7090 Flat Washer with chamfer
064	22025504	M16x50 8.8 FZB DIN603-8.8 spec. Round Square Neck Bolt
065	22052005	M12 6 FZB DIN985 Prevailing Torque Hex Nut with polyamide insert
066	22012400	M8x90 8.8 FZB DIN912/ ISO4762 Socket Hex Cap Screw
067	22058705	M12 140HV FZB DIN9021A/ ISO 7093 Flat Washer without chamfer
068	23006026	ϕ 5x105 SS FZB Spring Cotter for Bolt
069	23006203	Spike ϕ 36/ ϕ 28
070	23006003	ϕ 10x45 SS FZB Spring Cotters for bolt
071	23004804	ϕ 13x70 420-560HV RAW DIN1481/ ISO8752 Spring Pin (Rolled pin)
072	22058411	M10 140HV FZB DIN 125 ISO7090 Flat Washer with chamfer
073	22052004	M10 6 FZB DIN985 Prevailing Torque Hex Nut with polyamide insert
074	22056453	M16 ϕ 17x ϕ 30,7x3,4 FZB NL16sp Nord-Lock Washer For Hex Head
102	S4300018	Set, skid-pans - hardox
106	S4300045	Default side share



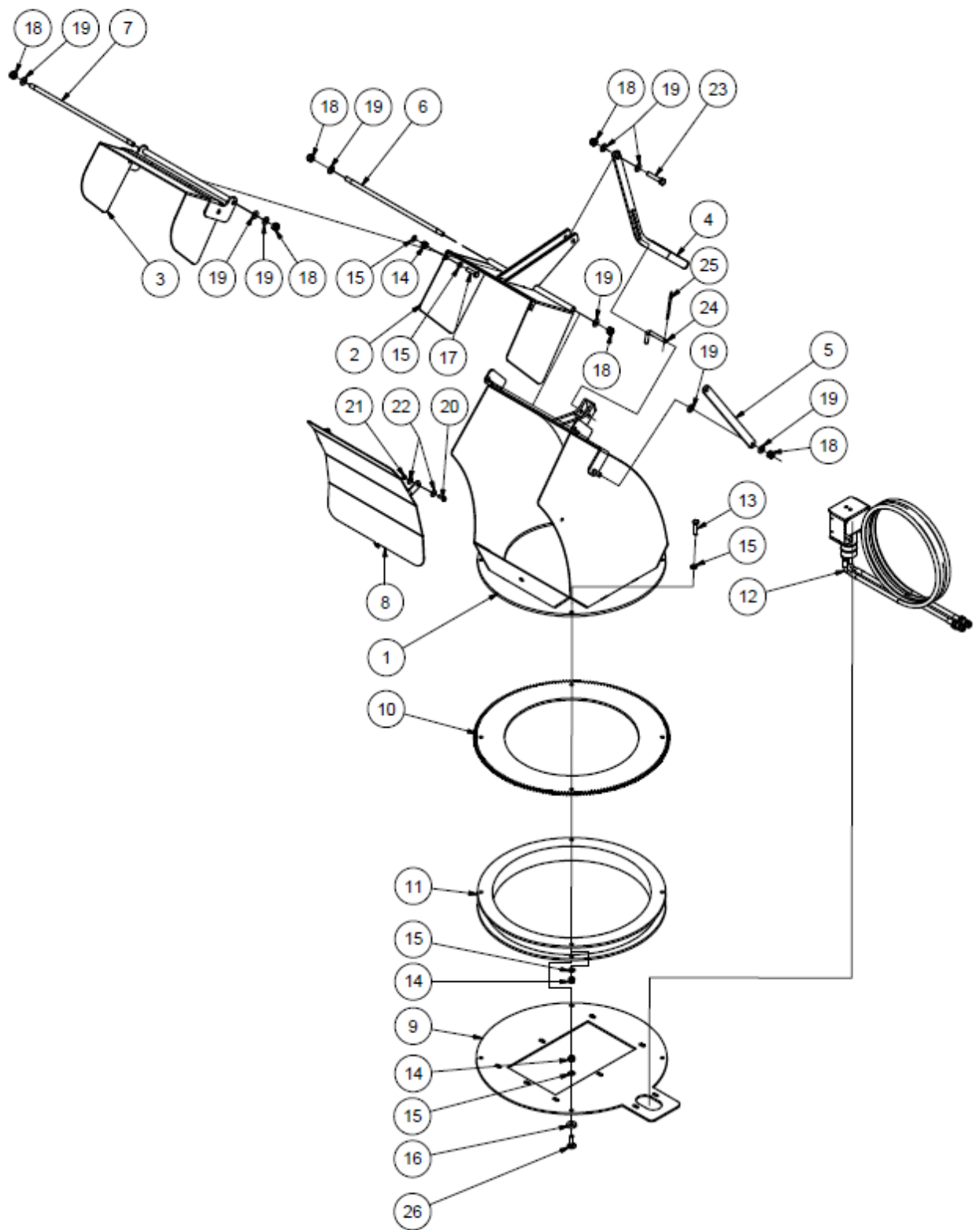
S4.200.087 - Fix nozzle Telemark

S4200087 Fix nozzle S2450 TELEMAR

BOM version: BOM05107808

X = See separate drawing

Pos.	Item number	Description
01	S4200088	Fix nozzle for Telemark, welded
02	S4200090	Middle flap for fix nozzle
03	S4200091	End flap for fix nozzle
04	S4200202	Shaft for flaps
05	S4401283	Adjusting bar for flap
06	26050005	Turntable ball bearings painted black
07	S4200137	Teeth plate for nozzle, Ø728
08	S4401263	Oil engine support fix nozzle
09	S4401267	Spacing washers-fix nozzle Telemark
10	S4401220	Fix nozzle shield Telemark
11	S4456001	Mounting set f. oil engine
12	S4300047	Set, hydraulic flap adjustment for Telemark
13	22025404	M12x45 4.6 FZB DIN 603/555 Round Head Square Neck Bolt with
14	22008508	M12x50 8.8 FZB DIN933 Hex Cap Screw
15	22008304	M8x25 8.8 FZB DIN933/ ISO4017 Hex Cap Screw
16	22052005	M12 6 FZB DIN985 Prevailing Torque Hex Nut with polyamide insert
17	22052006	M14 6 FZB DIN985 Prevailing Torque Hex Nut with polyamide insert
18	22052003	M8 6 FZB DIN985 Prevailing Torque Hex Nut with polyamide insert
19	22058309	1/2" 8.8 FZB Flat Washer 14,5x29x3
20	22058412	M22 140HV FZB DIN125 ISO7090 Flat Washer with chamfer
21	22058610	M12 140HV FZB DIN 125 ISO7090 Flat Washer with chamfer
22	22058600	M8 140HV FZB DIN9021A/ ISO7093 Flat Washer without chamfer
23	23006061	ø4x36 8.8 FZB DIN94/ ISO1234 Split Pin



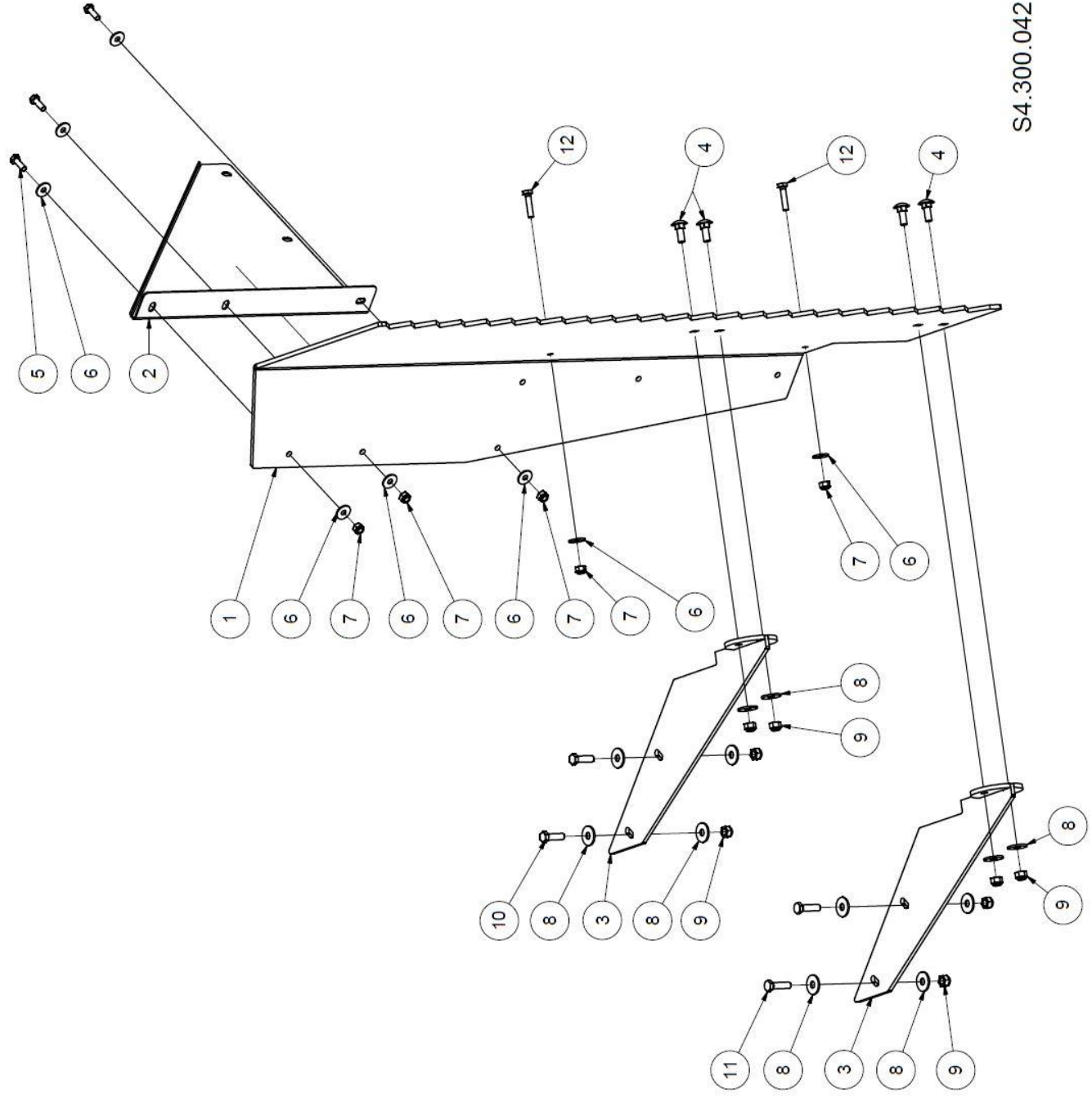
S4.200.093 - Mini Nozzle

S4200093 Mini nozzle

BOM version: BOM05104996

X = See separate drawing

Pos.	Item number	Description
1	S4200092	Mini nozzle, welded
2	S4200094	Middle flap for mini nozzle
3	S4200095	End flap for mini nozzle
4	S4200096	Handle for moving flaps, mini nozzle
5	S4200293	Arm for flap
6	S4200301	Threaded pin for flap, mini nozzle
7	S4200300	Threaded pin for flap, mini nozzle
8	S4200297	Cover for mini nozzle
9	S4200288	Oil engine support mini nozzle
10	S4200137	Teeth plate for nozzle, Ø728
11	26050005	Turntable ball bearings painted black
12	S4456001	Mounting set f. oil engine
13	22008508	M12x50 8.8 FZB DIN933 Hex Cap Screw
14	22052005	M12 6 FZB DIN985 Prevailing Torque Hex Nut with polyamide insert
15	22058610	M12 140HV FZB DIN 125 ISO7090 Flat Washer with chamfer
16	S4401267	Spacing washers-fix nozzle Telemark
17	22002300	M12x45 8.8 FZB DIN931 Hex Cap Screw
18	22052006	M14 6 FZB DIN985 Prevailing Torque Hex Nut with polyamide insert
19	22058309	½" 8.8 FZB Flat Washer 14,5x29x3
20	22008304	M8x25 8.8 FZB DIN933/ ISO4017 Hex Cap Screw
21	22052003	M8 6 FZB DIN985 Prevailing Torque Hex Nut with polyamide insert
22	22058600	M8 140HV FZB DIN9021A/ ISO7093 Flat Washer without chamfer,
23	22006612	M14x80 8.8 RAW DIN933 Hex Cap Screw
24	23006204	Spike Ø12 MK IV
25	23006026	ø5x105 SS FZB Spring Cotter for Bolt



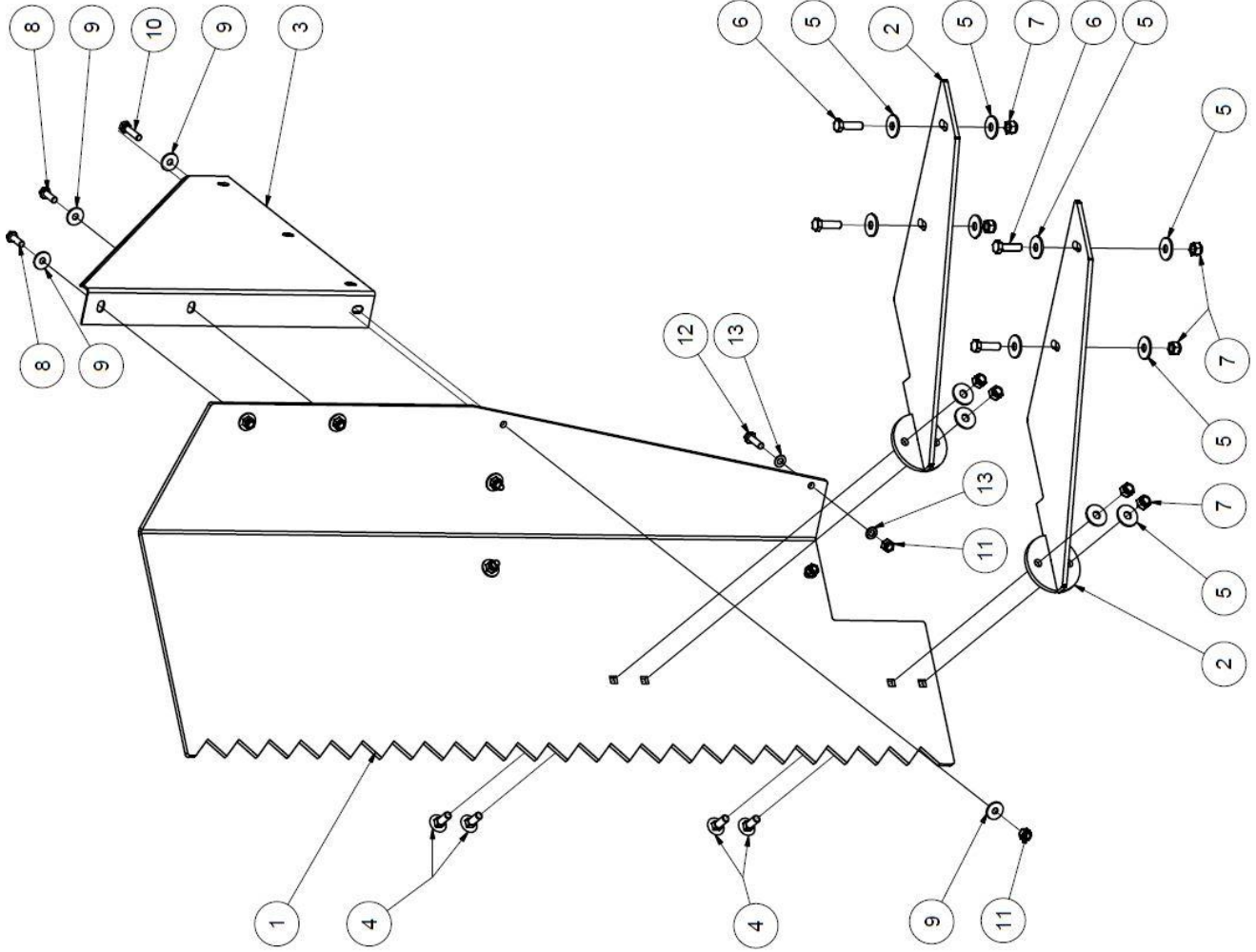
S4.300.042 - Set-Right sidewing

S4300042 Set – Right side wing S2450 TELEMAR

BOM version: BOM05102752

X = See separate drawing

Pos.	Item number	Description
1	S4401255	Plate for right side wing
2	S4401254	Support right plate for side wing
3	S4401065	Support for side wing
4	22025402	12x35 8.8 FZB DIN603-8.8 spec. Round Square Neck Bolt
5	22008404	M10x30 8.8 FZB DIN933 Hex Cap Screw
6	22058700	M10 140HV FZB DIN9021A/ ISO7093 Flat Washer without chamfer,
7	22052004	M10 6 FZB DIN985 Prevailing Torque Hex Nut with polyamide insert
8	22058705	M12 140HV FZB DIN9021A/ ISO 7093 Flat Washer without chamfer
9	22052005	M12 6 FZB DIN985 Prevailing Torque Hex Nut with polyamide insert
10	22008506	M12x40 8.8 FZB DIN933 Hex Cap Screw
11	22008507	M12x45 8.8 FZB DIN933 Hex Cap Screw
12	22008407	M10x45 8.8 FZB DIN933 Hex Cap Screw



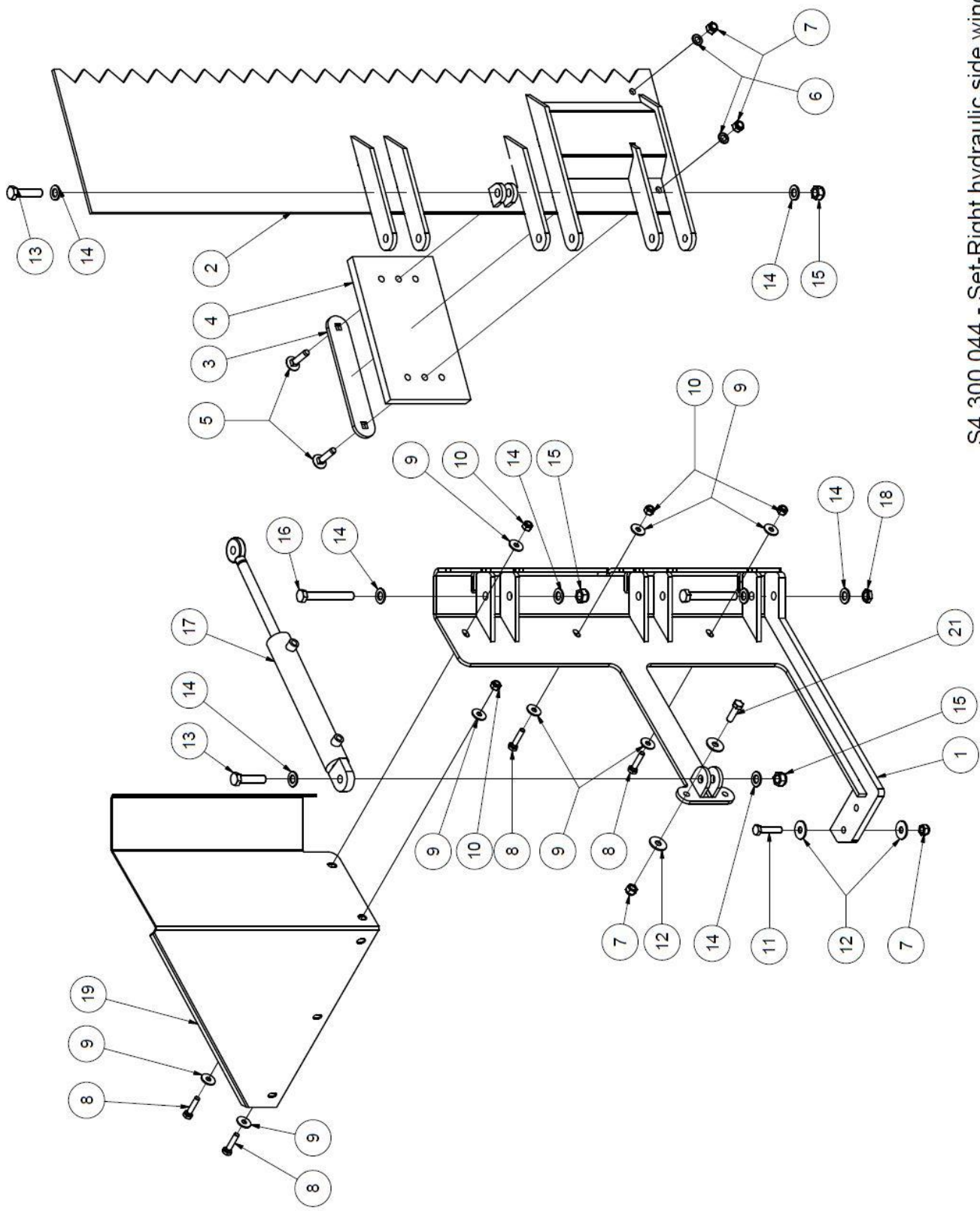
S4.300.043- Set-Left side wing

S4300043 Set - Left side wing S2450 TELEMAR

BOM version: BOM05102751

X = See separate drawing

Pos.	Item number	Description
1	S4401238	Plate for left side wing
2	S4401065	Support for side wing
3	S4401244	Support for left side wing
4	22025402	12x35 8.8 FZB DIN603-8.8 spec. Round Square Neck Bolt
5	22058705	M12 140HV FZB DIN9021A/ ISO 7093 Flat Washer without chamfer
6	22008506	M12x40 8.8 FZB DIN933 Hex Cap Screw
7	22052005	M12 6 FZB DIN985 Prevailing Torque Hex Nut with polyamide insert
8	22008404	M10x30 8.8 FZB DIN933 Hex Cap Screw
9	22058700	M10 140HV FZB DIN9021A/ ISO7093 Flat Washer without chamfer,
10	22008407	M10x45 8.8 FZB DIN933 Hex Cap Screw
11	22052004	M10 6 FZB DIN985 Prevailing Torque Hex Nut with polyamide insert
12	22008405	M10x35 8.8 FZB DIN933 Hex Cap Screw
13	22058410	M10 140HV FZB DIN 125 ISO7090 Flat Washer with chamfer



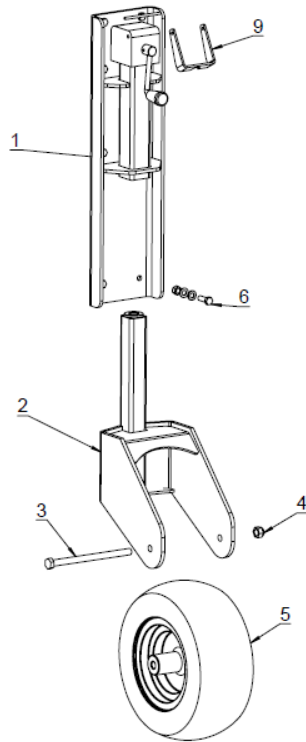
S4.300.044 - Set-Right hydraulic side wing

S4300044 Set - Right hydraulic side wing

BOM version: BOM05102732

X = See separate drawing

Pos.	Item number	Description
1	S4401062	Right hydraulic side wing, welded
2	S4401063	Hydraulic side wing, welded
3	S4401214	Support plate for rubber
4	9004104	Rubber for hydraulic side wing
5	22025405	M12x50 FZB bolt
6	22058610	M12 140HV FZB DIN 125 ISO7090 Flat Washer with chamfer
7	22052005	M12 6 FZB DIN985 Prevailing Torque Hex Nut with polyamide insert
8	22008407	M10x45 8.8 FZB DIN933 Hex Cap Screw
9	22058700	M10 140HV FZB DIN9021A/ ISO7093 Flat Washer without chamfer,
10	22052004	M10 6 FZB DIN985 Prevailing Torque Hex Nut with polyamide insert
11	22008509	Set screw M12x55 8.8 FZB
12	22058705	M12 140HV FZB DIN9021A/ ISO 7093 Flat Washer without chamfer
13	22002502	Hex-Head Bolt, DIN 931-1 - M16 x 65
14	22058704	M16 140HV FZB DIN 125 ISO7090 Flat Washer with chamfer
15	22052007	M16 6 FZB DIN985 Prevailing Torque Hex Nut with polyamide insert
16	22002512	M16x120 8.8 FZB DIN931/ ISO4014 Hex Cap Screw
17	21097716	Hydraulic cylinder $\varnothing 40/\varnothing 20 \times 200$ mm
18	22077170	M16 A2 kl.70 DIN439B Hex Jam nut nominal height 0,5d
19	S4401245	Support for hydraulic side wing
20	21009093	Hydraulic set for hydraulic wing - TELEMAR
21	22008506	M12x40 8.8 FZB DIN933 Hex Cap Screw

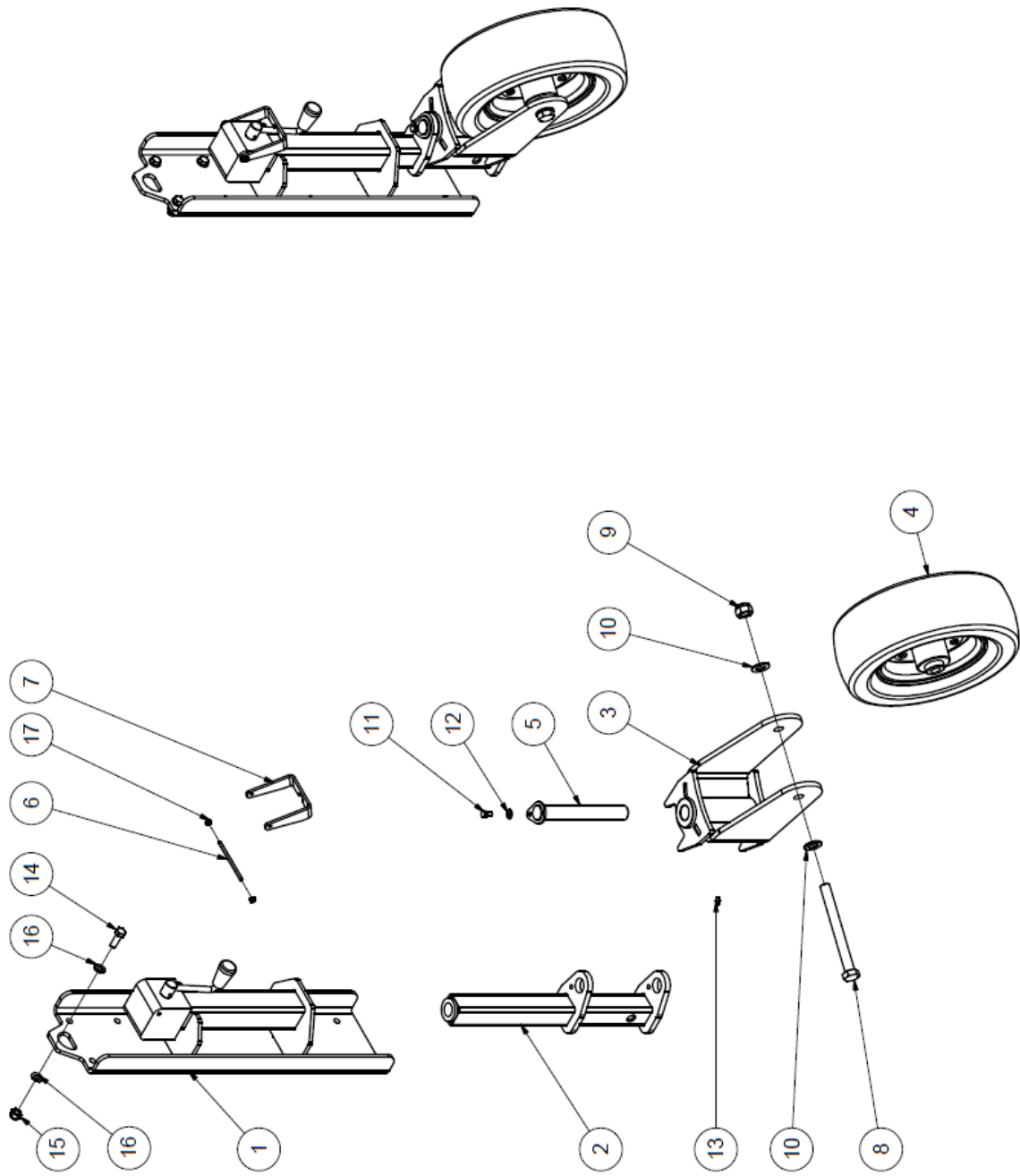


S4300022 Set, steadying wheel S-2450/2500

BOM version: S4300022

X = See separate drawing

Pos.	Item number	Description
1	S4461127	Thread part for lock to support feet
1	22002109	M6x80 8.8 FZB DIN931/ ISO4014 Hex Cap Screw
1	22052002	M6 6 FZB DIN985 Prevailing Torque Hex Nut with polyamide insert
1	S4461040	Suspension for steading wheel
2	S4461041	Wheel suspension f. steadying wheel
3	22002521	M16x240 8.8 FZB DIN931/ ISO4014 Hex Cap Screw
4	22052007	M16 6 FZB DIN985 Prevailing Torque Hex Nut with polyamide insert
5	24000028	Wheel complete
6	22058610	M12 140HV FZB DIN 125 ISO7090 Flat Washer with chamfer
6	22008505	M12x35 8.8 FZB DIN933 Hex Cap Screw
6	22052005	M12 6 FZB DIN985 Prevailing Torque Hex Nut with polyamide insert
9	S4461126	Lock for handle STV support feet



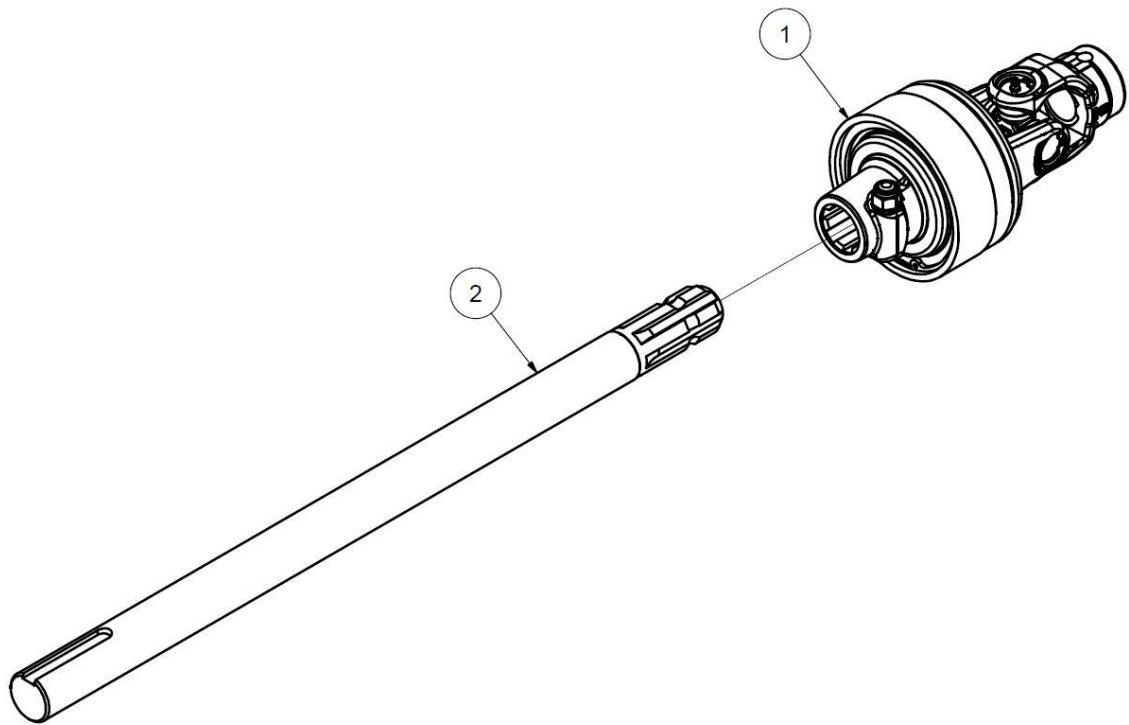
S4.300.023 - Set, Directional wheels for Telemark

S4300023 Set, Directional wheels for Telemark

BOM version: BOM05104974

X = See separate drawing

Pos.	Item number	Description
1	S4401052	Suspension for wheel
2	S4461045	Wheels suspension
3	S4401053	Directional wheel fork
4	24000023	Wheel complete
5	S4461047	Spike
6	S4461127	Thread part for lock to support feet
7	S4461126	Lock for handle STV support feet
8	22002718	M20x200 8.8 FZB DIN931/ ISO4014 Hex Cap Screw
9	22052009	M20 6 FZB DIN985 Prevailing Torque Hex Nut with polyamide insert
10	22058802	M20 140HV FZB DIN 125 ISO7090 Flat Washer with chamfer
11	22008302	M8x16 8.8 FZB DIN933/ ISO4017 Hex Cap Screw
12	22058402	M8 140HV FZB DIN125 ISO7090 Flat Washer with chamfer
13	21060000	Grease nipple M6X1 straight
14	22008505	M12x35 8.8 FZB DIN933 Hex Cap Screw
15	22052005	M12 6 FZB DIN985 Prevailing Torque Hex Nut with polyamide insert
16	22058610	M12 140HV FZB DIN 125 ISO7090 Flat Washer with chamfer
17	22052002	M6 6 FZB DIN985 Prevailing Torque Hex Nut with polyamide insert



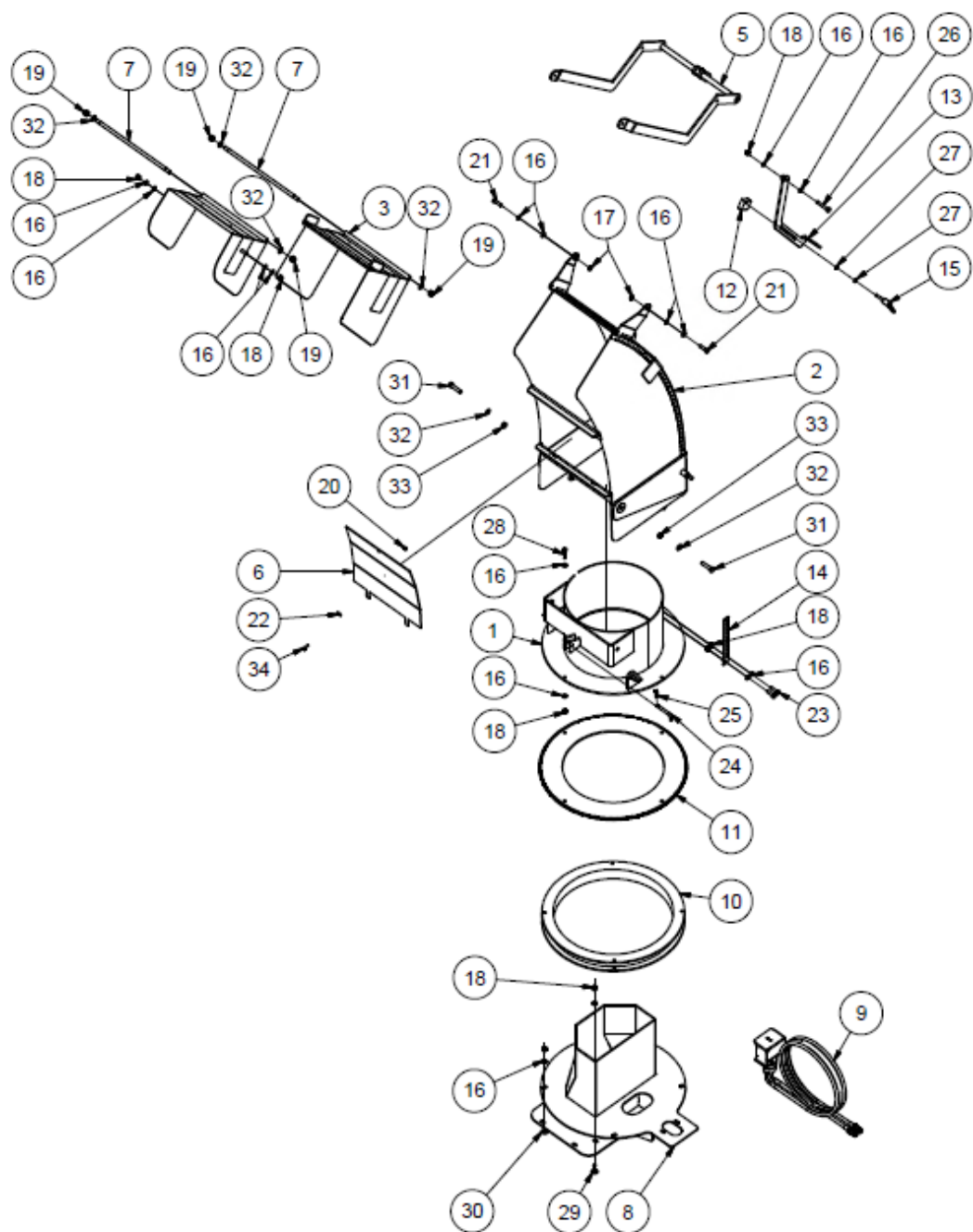
S4.300.046 - Set-Automatic clutch

S4300046 Set - Automatic clutch S2450 TELEMAR

BOM version: BOM05102754

X = See separate drawing

Pos.	Item number	Description
1	26080802	Automatic Clutch for TELEMAR
2	26085026	Shaft for automatic clutch



Note!

Compatible with :
 S2450 Telemark
 S-2500
 3330F
 2650
 S2450 MK IV

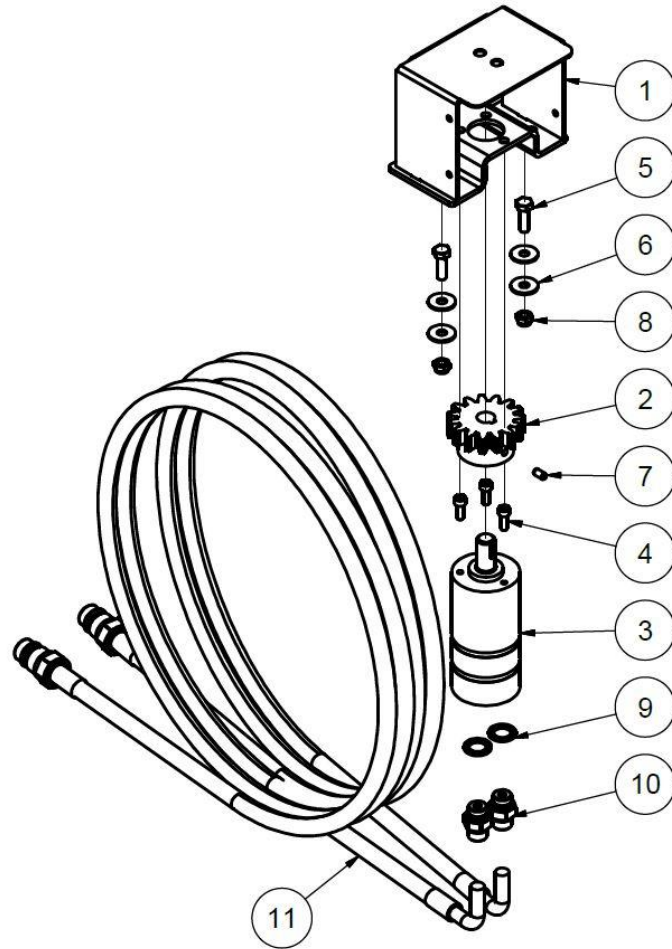
S4.200.077 -Set, Retrofit tilt able nozzle

S4200077 Short nozzle for TELEMAR

BOM version: BOM05105081

X = See separate drawing

Pos.	Item number	Description
1	S4200051	Base for Thor nozzle, welded
2	S4200078	Nozzle for Thor and TELEMAR, welded
3	S4200049	Middle flap for nozzle
4	S4200053	End flap for Thor nozzle
5	S4200064	Yoke for adjusting the flap
6	S4200234	Cover for nozzle, TELEMAR
7	S4200202	Shaft for flaps
8	S4401061	Base of the nozzle
9	S4456001	Mounting set f. oil engine
10	26050005	Turntable ball bearings painted black
11	S4200137	Teeth plate for nozzle, Ø728
12	S4200201	Intermediate block for Thor, manual nozzle
13	S4200065	Handle for Thor flap, welded
14	S4200194	Adjusting plate for nozzle, Thor
15	17003004	Adjusting grib forma T
16	22058610	M12 140HV FZB DIN 125 ISO7090 Flat Washer with chamfer
17	22053012	M12 4 FZB DIN 439B Hex Jam Nut Nominal Height ?0,5d metric
18	22052005	M12 6 FZB DIN985 Prevailing Torque Hex Nut with polyamide insert
19	22052006	M14 6 FZB DIN985 Prevailing Torque Hex Nut with polyamide ins
20	22052003	M8 6 FZB DIN985 Prevailing Torque Hex Nut with polyamide insert
21	22002300	M12x45 8.8 FZB DIN931 Hex Cap Screw
22	22058600	M8 140HV FZB DIN9021A/ ISO7093 Flat Washer without chamfer,
23	22008506	M12x40 8.8 FZB DIN933 Hex Cap Screw
24	23006207	Spike Ø12
25	23006000	ø4,5x33x35 SS FZB Spring Cotters for bolt
26	22002316	Bolt M12x75 8.8 FZB DIN 931
27	22058410	M10 140HV FZB DIN 125 ISO7090 Flat Washer with chamfer
28	22008508	M12x50 8.8 FZB DIN933 Hex Cap Screw
29	22025404	M12x45 4.6 FZB DIN 603/555 Round Head Square Neck Bolt with
30	22025402	12x35 8.8 FZB DIN603-8.8 spec. Round Square Neck Bolt
31	22002401	Bolt M14x65 DIN 931 gr.8.8 DIN931 FZB
32	22058309	1/2" 8.8 FZB DIN 1440 Flat Washer
33	22050600	14 8.8 FZB DIN934/ ISO4032 Hex Nut Nominal Height ?0,8d
34	22008304	M8x25 8.8 FZB DIN933/ ISO4017 Hex Cap Screw

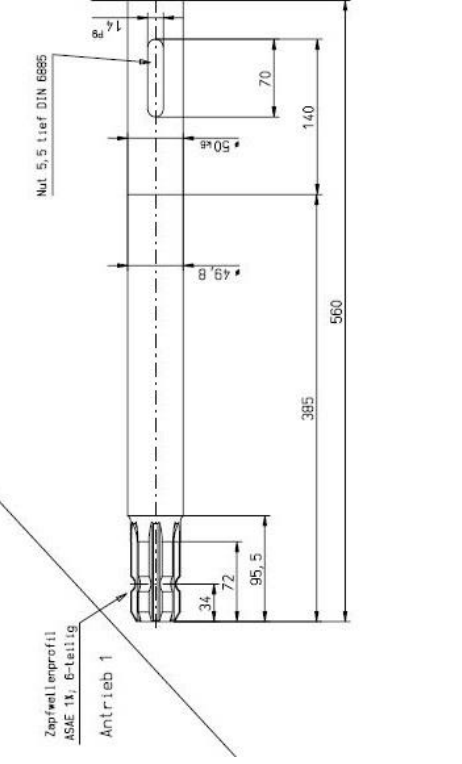
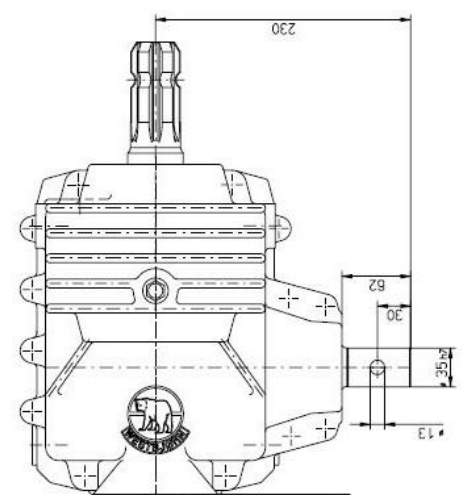
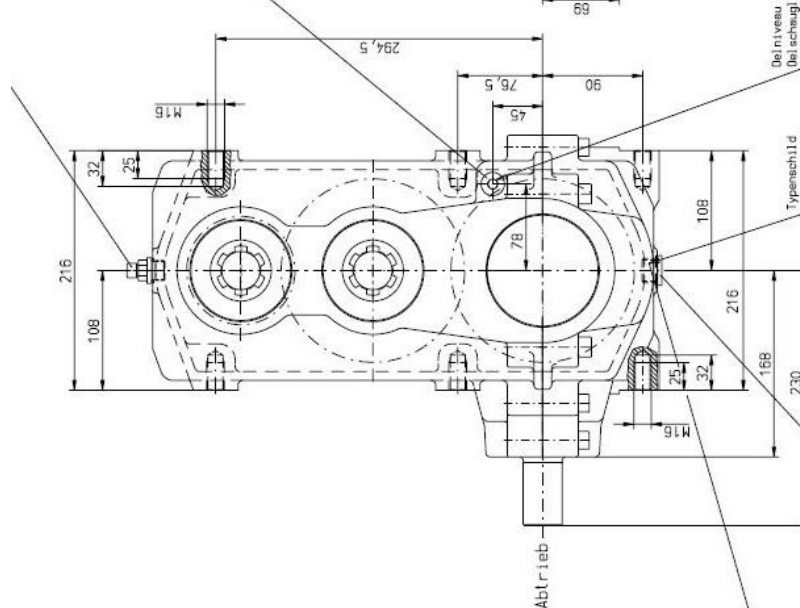
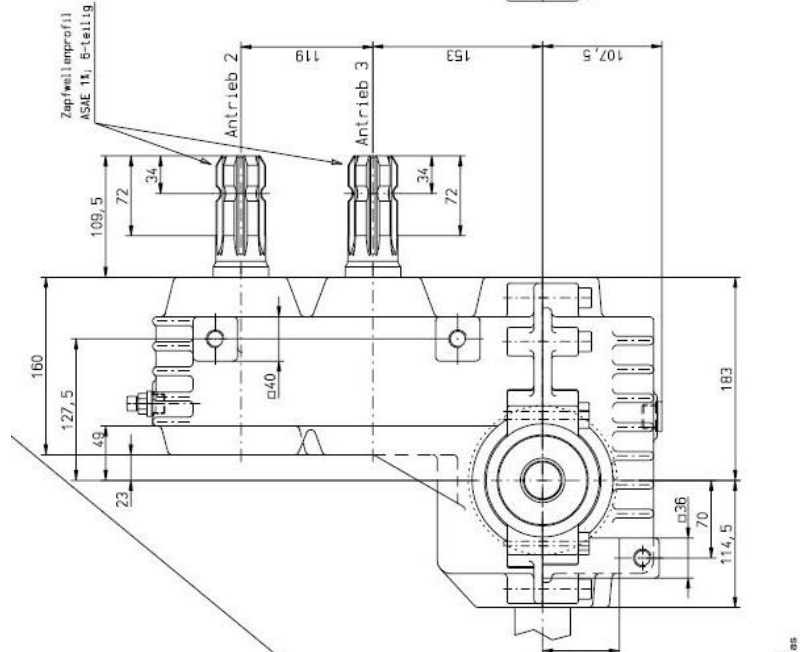
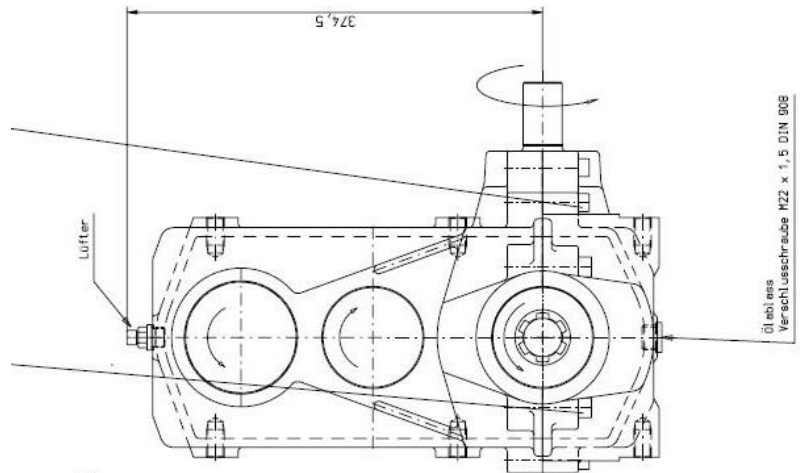


S4456001 Mounting set for oil engine

BOM version: S4456001

X = See separate drawing

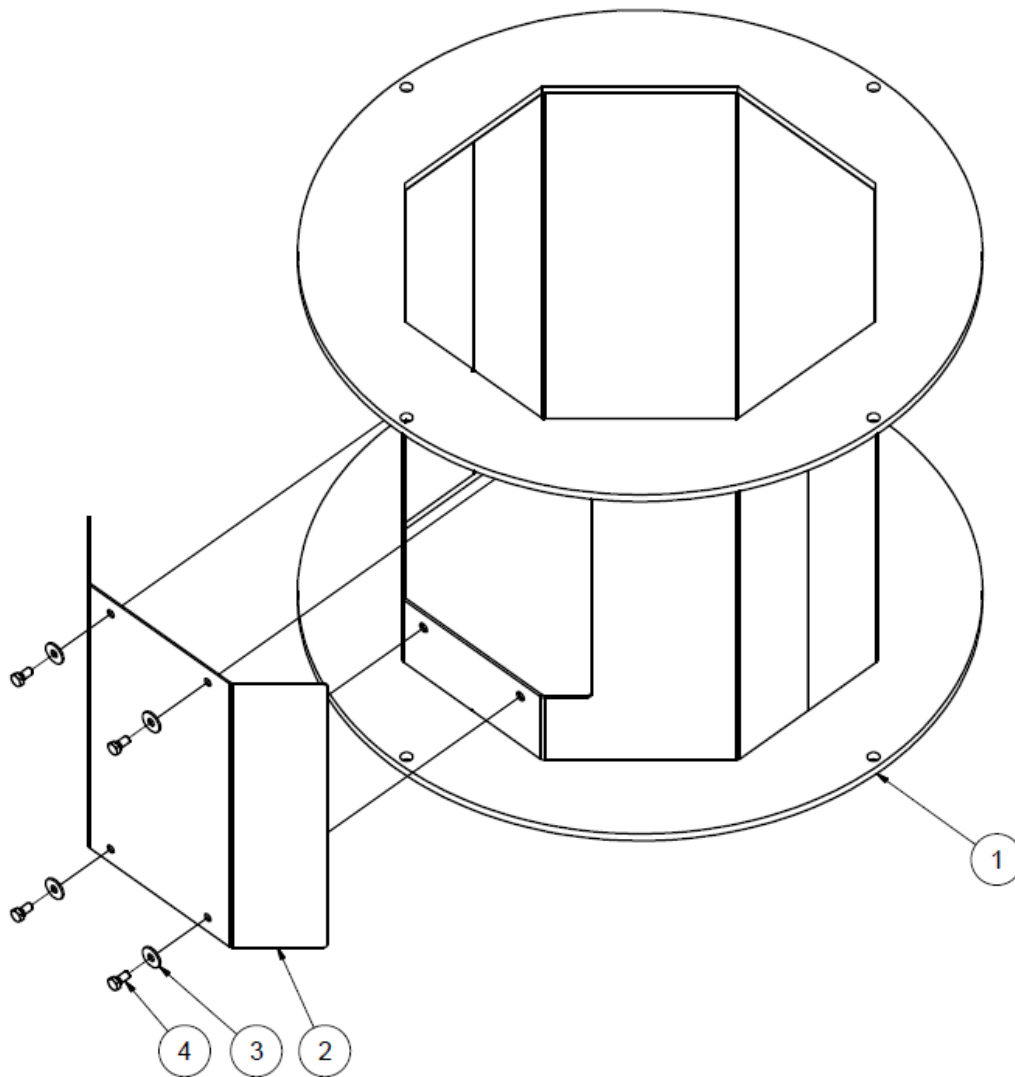
Pos.	Item number	Description
1	S4456067	Console for oil engine
2	S4456109	Gear-wheel f. oil engine Z15, M16/Ø16
3	21070099	Oil motor OMM 50 C16 e. port
4	22012205	M6x12 8.8 FZB DIN912/ ISO4762 Hex Cap Screw
5	22008304	M8x25 8.8 FZB DIN933/ ISO4017 Hex Cap Screw
6	22058600	M8 140HV FZB DIN9021A/ ISO7093 Flat Washer without chamfer,
7	22018021	M6x10 45RAW DIN 916 / ISO 4029 Socket Set Screw with cup poi
8	22052003	M8 6 FZB DIN985 Prevailing Torque Hex Nut with polyamide insert
9	21062101	Seal Ring 3/8"
10	S6005103	Nipple for oil engine 3/8"x3/8"
11	21033431	Hydraulic hose ø3/8"x3100 w/ coupling



Achtung!
Bei erster Fertigung
testen und auslüften

Lackierung : schwarz lackiert
Öl füllung: ca. 3 Ltr. ISO VG 320
(Mobilgear 632) durch Rängelberg

035 - 26092980 - Gearbox 1 3/4" 100HP



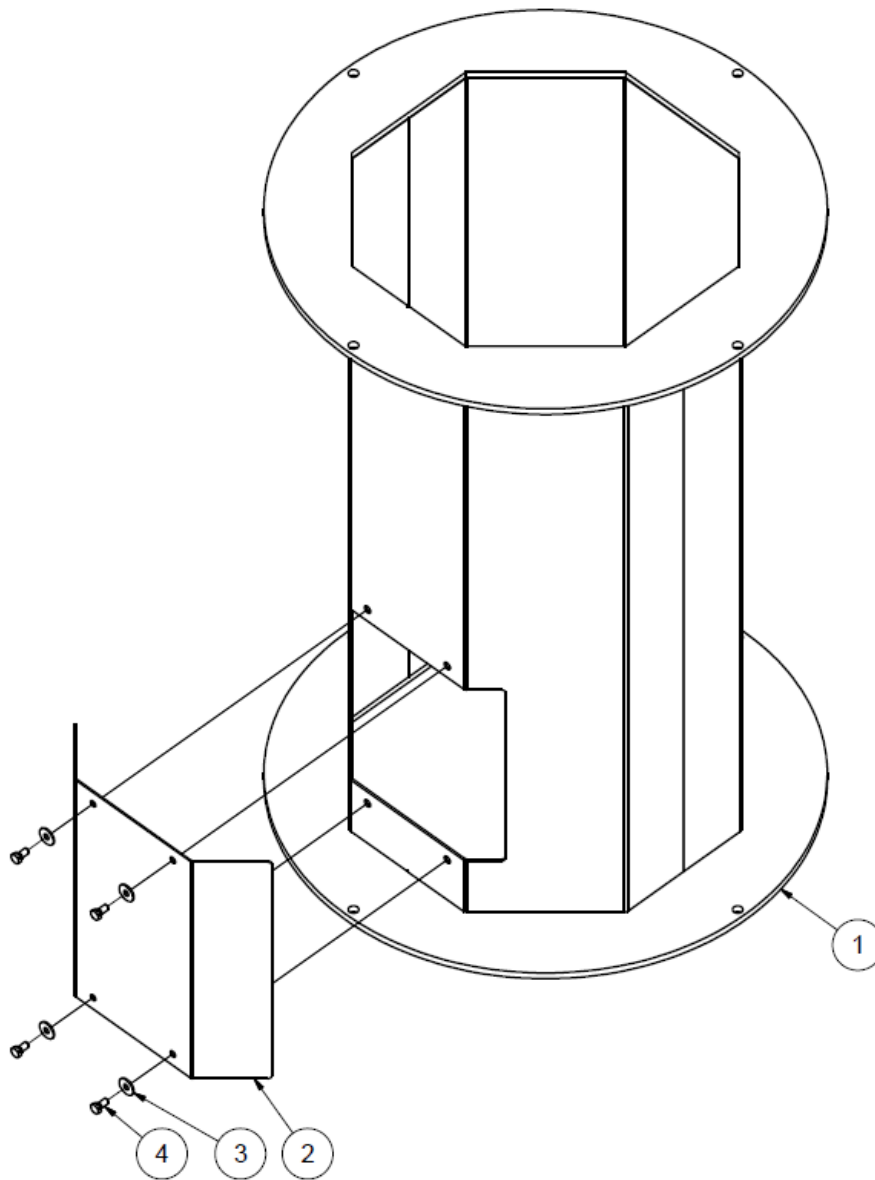
S4.200.081 - Short extension for nozzle, mounted

S4200081 Short extension for nozzle, mounted

BOM version: BOM05103022

X = See separate drawing

Pos.	Item number	Description
1	S4200080	Short extension for nozzle, welded
2	S4200235	Cover for extension of nozzle
3	22058600	M8 140HV FZB DIN9021A/ ISO7093 Flat Washer without chamfer,
4	22008302	M8x16 8.8 FZB DIN933/ ISO4017 Hex Cap Screw



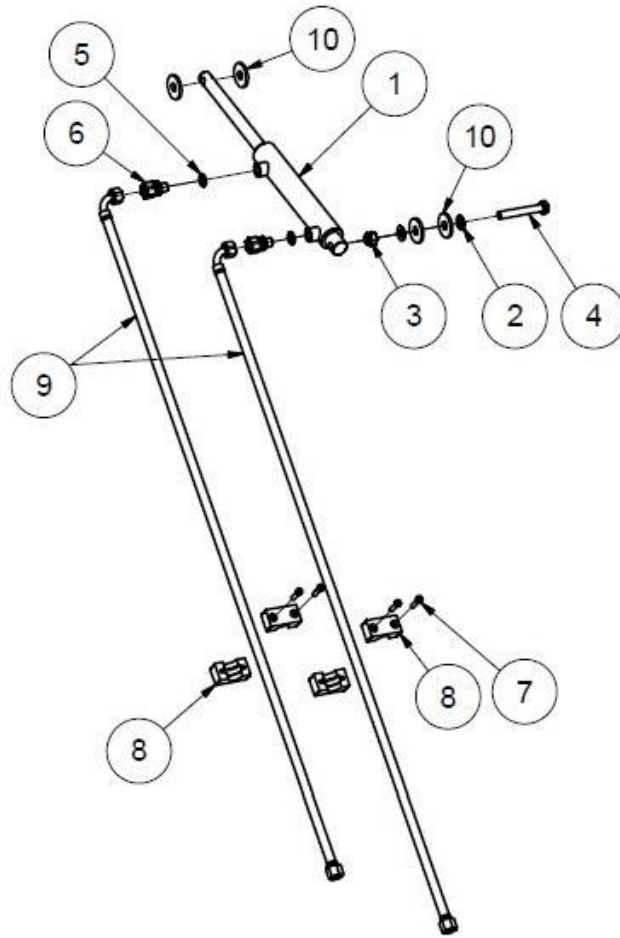
S4.200.084 - Long extension for nozzle, mounted

S4200084 Long extension for nozzle, mounted

BOM version: BOM05103074

X = See separate drawing

Pos.	Item number	Description
1	S4200083	Long extension for nozzle, welded
2	S4200235	Cover for extension of nozzle
3	22058600	M8 140HV FZB DIN9021A/ ISO7093 Flat Washer without chamfer,
4	22008302	M8x16 8.8 FZB DIN933/ ISO4017 Hex Cap Screw



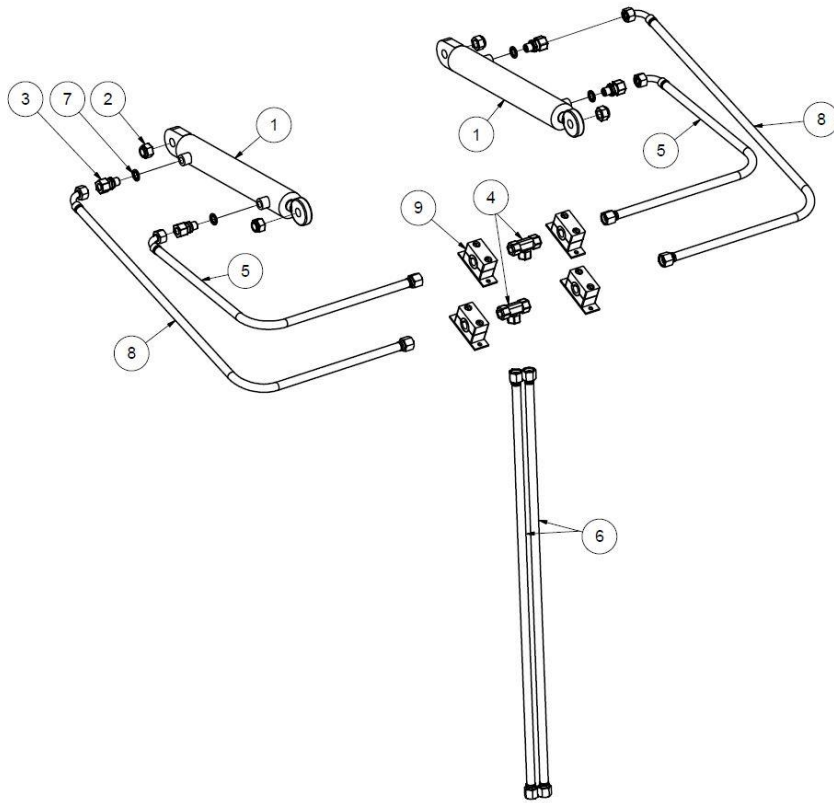
S4.200.072 - Hydraulic set, adjusting flap of nozzle

S4200072 Hydraulic set, adjusting flap of nozzle

BOM version: BOM05104086

X = See separate drawing

Pos.	Item number	Description
1	21096202	Hydraulic cylinder 32/20-150
2	22058610	M12 140HV FZB DIN 125 ISO7090 Flat Washer with chamfer
3	22052005	M12 6 FZB DIN985 Prevailing Torque Hex Nut with polyamide insert
4	22002307	M12x80 8.8 FZB DIN931 Hex Cap Screw
5	21062100	Seal ring 1/4"
6	21000891	Hydraulic hexagon nipple 1/4"X M18 Ø10
7	22081127	M6x25 A2 kl.70 DIN912/ ISO4762 Socket Head Cap Screw
8	21040020	Hose holder Ø18 -2 pcs
9	21038308	Hydraulic hose 3/8"x4000
10	22058903	M12 14x40x4 St HDG BN20153/gr.836 Washer



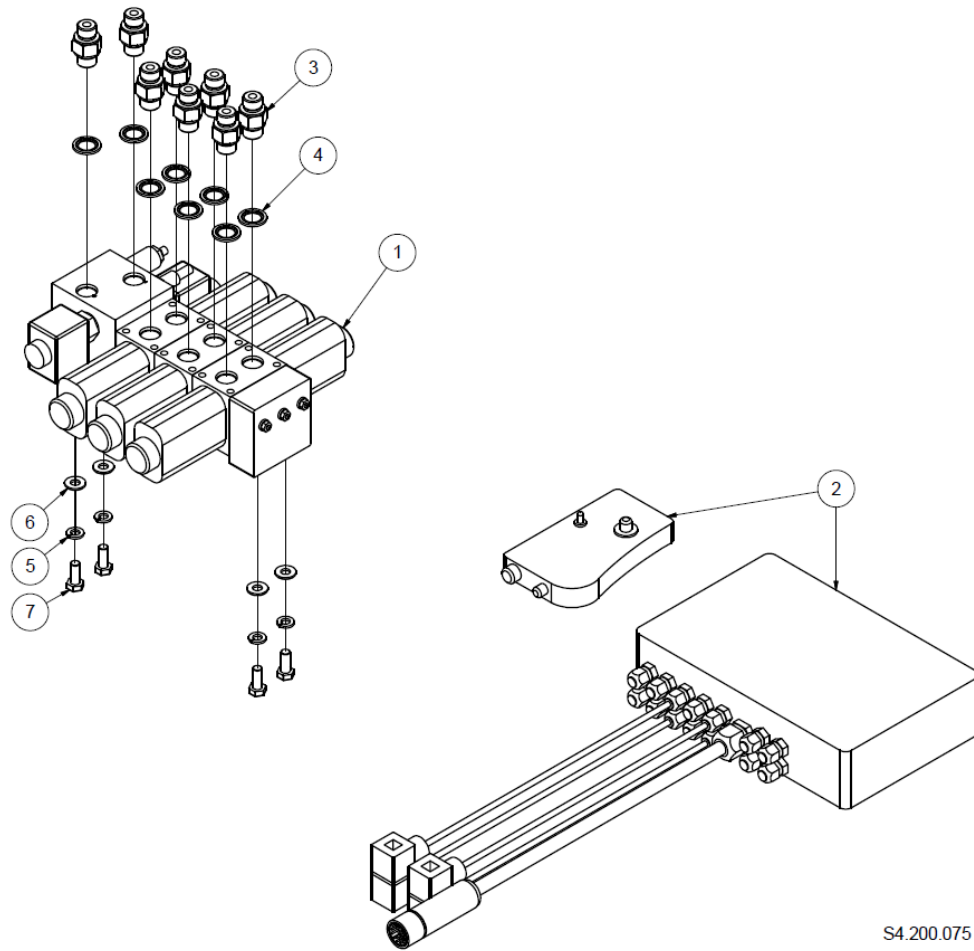
S4.200.073 - Hydraulic set, adjusting tilting of nozzle

S4200073 Hydraulic set, adjusting tilting of nozzle

BOM version: BOM05104083

X = See separate drawing

Pos.	Item number	Description
1	21097716	Hydraulic cylinder $\varnothing 40/\varnothing 20 \times 200$ mm
2	22052006	M14 6 FZB DIN985 Prevailing Torque Hex Nut with polyamide insert
3	21000891	Hydraulic hexagon nipple 1/4"X M18 $\varnothing 10$
4	21000603	Hydraulic T $\varnothing 12$ o ml- $\varnothing 12$ o ml- $\varnothing 12$ o ml
5	21038310	Hydraulic hose 3/8"x700
6	21038311	Hydraulic hose 3/8"x3000
7	21062100	Seal ring 1/4"
8	21038313	Hydraulic hose 3/8"x1000
9	21040020	Hose holder $\varnothing 18$ -2 pcs.



S4.200.075 - Electrical set, Thor

S4200075 Electrical set Thor

BOM version: BOM05106015

X = See separate drawing

Pos.	Item number	Description
1	21075368	Hydraulic valve SDE030/3/AN2/PPAL1
2	20000400	Electric controller for valve for snow blower
3	21000804	Hydraulic hexagon nipple 3/8"x3/8"
4	21062101	Seal Ring 3/8"
6	22056200	M8 SS HDG DIN128A Spring Lock Washer curved
7	22058402	M8 140HV FZB DIN125 ISO7090 Flat Washer with chamfer
8	22008303	M8x20 8.8 FZB DIN933/ ISO4017 Hex Cap Screw
	21038312	Hydraulic hose 3/8"x1500